



# РУКОВОДСТВО ПО ЭКСПЛУАТАЦИИ

Индукционные  
реверсивные  
электродвигатели и  
мотор-редукторы

# 可逆电动机 REVERSIBLE MOTORS

■ 6W □ 60mm



## 规格 Specs 30分钟额定 30 Minutes Rating

型号 Model · 类型 Type 导线型 Lead Wire Type		输出功率 Output power W	电压 Voltage V	频率 Frequency Hz	电流 Current A	启动转矩 Starting Torque mN.m	额定转矩 Rated Torque mN.m	额定转速 Rated Speed r/min	电容器容量 Capacitor μF
齿轮轴型 Pinion Shaft	圆轴型 Round Shaft								
2RK6GN-A	2RK6A-A	6	1ph 100	50	0.265	60	48	1200	4.0
				60	0.232	55	40	1450	
2RK6GN-E	2RK6A-E	6	1ph110	50	0.185	45	40	1450	2.5
				60	0.200				
2RK6GN-C	2RK6A-C	6	1ph220	50	0.145	55	48	1200	1.0
				60	0.150				
2RK6GN-H	2RK6A-H	6	1ph220	50	0.145	40	60	1450	1.0
				60	0.150				

●可逆电动机的额定转矩、启动转矩数值均为未安装简易制动时的数值。

Values shown for rated torque and starting torque are measured for operation without the friction brake installed.

●各种安全规格以电动机铭牌上的型号取得认定。

When the motor is approved under various safety standards, the model name on the nameplate is the approved model name.

●Ⓢ: 内置热保护装置(自动复位型)。在电动机因某种原因过热时会自行启动使电动机停止。

Contains a built-in thermal protector(automatic return). If a motor overheats for any reason, the thermal protector is opened and the motor stops.

●电动机温度下降后会自动恢复运行,故在进行检查作业时请务必先切断电源。

When the motor temperature drops, the thermal protector closes and the motor restarts. Be sure to turn the motor off before inspecting.

●注:“-A”型号中电压为110V时,配置电容器容量以实际铭牌为准。

Note:“-A” it means the voltage 110v,the assembly capacitor vaule it is according the labe.

## 种类 Type

● 电动机 Motor

机型 Type	型号 Model	
	齿轮轴型 Pinion Shaft	圆轴型 Round Shaft
导线型 Lead Wire Type	2RK6GN-A	2RK6A-A
	2RK6GN-E	2RK6A-E
	2RK6GN-C	2RK6A-C
	2RK6GN-H	2RK6A-H

● 平行轴减速器(另售) Parallel Shaft Gearhead (Sold Separately)

减速器种类 Gearhead Type	减速器型号 Gearhead Model	减速比 Gear Ratio
长寿命●低噪音 Long Life ● Low Noise	2GN□K	3、3.6、5、6、7.5、9、12.5、15、18、25、30、36、50、60、75、90、100、120、150、180、200
	2GN10XK (中间减速器 Decimal Gearhead)	

●减速器型号的□中为减速比的数值

Enter the gear ratio in the box { □ } within the model name

## ■ 装有减速器时的容许转矩 Gear Motor-Torque Table

- 减速器另售·中间减速器另售。  
Gearhead and mid-gearbox can be sold separately.
- 减速品型号的□中为减速比的数值。  
Enter the gear ratio in the box(□) within the model name.
- □色表示与电动机同一方向运转，其他则为相反方向。  
The colored background □ indicates the same rotating direction of the motor while the rotating direction of others are opposite.
- 转速是以电动机的同步转速（50Hz：1500r/min、60Hz：1800r/min）为基准除以减速比而算出来的数值。实际转速将随负载大小变化所示数值减少2%~20%左右。  
The speed is calculated by dividing the motor's synchronous speed(50Hz：1500r/min、60Hz：1800r/min) by the gear ratio. The actual speed is 2%~20% less than the displayed value, depending on the size of the load.
- 希望以大于下表的减速比进行进一步减速时，可在电动机与减速机之间安装减速比为10的中间减速机。  
这时的容许转矩为3N·m。  
To reduce the speed beyond the gear ratio in the table, attach a decimal gearhead(gear ratio:10)between the gearhead and motor. In that case, the permissible torque is 3 N·m.

## ■ 容许力矩单位 Allowance Torque Unit：上段 Upside ( N.m ) /下段 Belowside ( kgf.cm )

类型 Type 电动机/减速机 Motor/Gearhead	减速比 Gear Ratio	转速 Speed r/min	3	3.6	5	6	7.5	9	12.5	15	18	25	30	36	50	60	75	90	100	120	150	180	200	
			50Hz	500	417	300	250	200	166	120	100	83	60	50	41	30	25	20	16	15	12.5	10	8.3	7.5
2RK6GN-A 2RK6GN-E 2RK6GN-C 2RK6GN-H	2GN□K	50Hz	0.12	0.14	0.19	0.23	0.29	0.35	0.49	0.58	0.70	0.88	1.1	1.3	1.6	1.9	2.4	2.9	3	3	3	3	3	
			1.22	1.43	1.94	2.35	2.96	3.57	5.0	5.92	7.14	8.98	11.2	13.3	16.3	19.4	24.5	29.6	30	30	30	30	30	
		60Hz	0.10	0.12	0.16	0.19	0.24	0.29	0.41	0.49	0.58	0.73	0.88	1.1	1.3	1.6	2.0	2.4	2.6	3	3	3	3	3
			1.02	1.22	1.63	1.94	2.45	2.96	4.18	5.0	5.92	7.45	8.98	11.2	13.3	16.3	20.4	24.5	26.5	30	30	30	30	30

## ■ 容许悬挂负载·容许轴向负载 To Allow The Hoisting Of The Load Allow Axial Load

电动机(圆轴型)→272页 Motor(Round Shaft)→P272  
减速机→272页 Gearhead→P272

## ■ 减速机的容许负载惯性惯量 J Permissible Load Inertia J For Gearhead

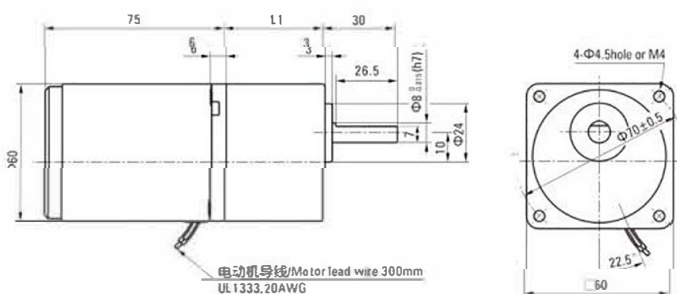
→272页→P272

## ■ 外形图(单位 mm) Dimensions(Unit mm)

减速机附有安装用螺丝 Mounting screws are included with gearhead.

### ● 导线型 Lead Wiring Type

重量 Weight：电动机 Motor：0.8kg 减速机 Gearhead：0.4kg

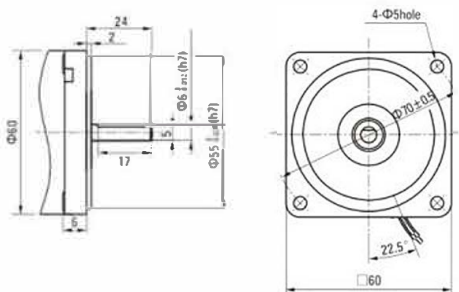


电动机型号 Motor Model	减速机型号 Gearhead Model	减速比 Gear Ratio	L1
2RK6GN-A 2RK6GN-E 2RK6GN-C 2RK6GN-H	2GN□K	3~18	32
		25~200	41.5

- 减速机型号的□中为减速比的数值  
Enter the gear ratio in the box (□) within the model name

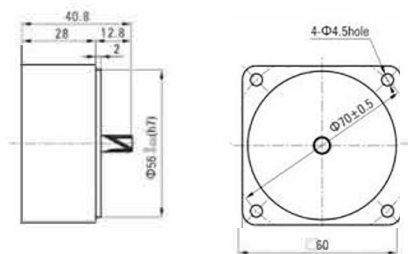
● 圆轴型的转轴部分 Shaft Section Of Round Shaft Type

除重量及轴部外电动机外形与齿轮轴型相同。  
Excluding weight and the shaft section motor shape are the same as those of the pinion shaft type.



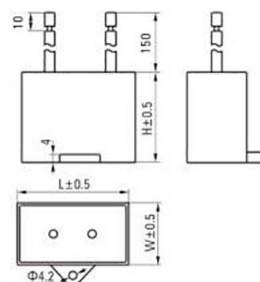
● 中间减速器 Decimal Gearhead

可安装在GN齿轮轴型上 Can be connected to GN pinion shaft type  
电动机外形与齿轮轴型相同  
2GN10XK  
重量 Weight : 0.24kg



■ 电容器外形尺寸 Formal Dimension Of Capacitor

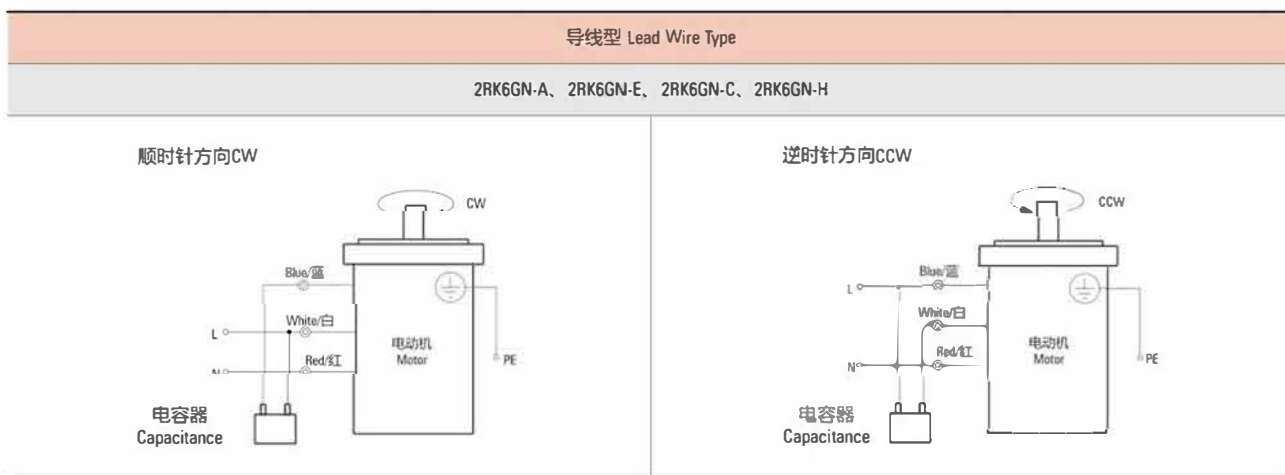
型号 Model		电容器型号 Capacitor Model	L	W	H
齿轮轴型 Pinion Shaft	圆轴型 Round Shaft				
2RK6GN-A	2RK6A-A	ZD40CFAUL	47	17	31
2RK6GN-E	2RK6A-E	ZD25CFAUL	38	17	28
2RK6GN-C	2RK6A-C	ZD10CFAUL	36	11	22



- 常规电容器出线为引线,也可根据客户要求配置插片式187#  
Note: Conventional capacitor is a lead wire type. Inserted 187# is optional

■ 连接图 Wiring Diagram

- 运转方向指从电动机轴看来的方向。CW表示顺时针方向, CCW表示逆时针方向。  
The direction of motor rotation is as viewed from the shaft end of motor. CW represents the clockwise direction, while CCW represents the counterclockwise direction.
- 表中所记品名为齿轮轴型, 圆轴型亦同。  
Name indicated in the list is pinion shaft type, also valid for the equivalent round shaft type.



请注意 Note:

单相电动机运转方向的转换应在电动机停止后进行。  
Change the direction of single-phase motor rotation only after bring the motor to a stop.  
若在电动机运转时转换运转方向, 可能发生无法转换运转方向或须费时较久的情况。  
If an attempt is made to change the direction of rotation while the motor is rotating, motor may ignore reversing command or change its direction of rotation after some delay.

# 可逆电动机 REVERSIBLE MOTORS

■ 15W □ 70mm



## 规格 Specs 30分钟额定 30 Minutes Rating

型号Model · 类型 Type 导线型 Lead Wire Type		输出功率 Output power W	电压 Voltage V	频率 Frequency Hz	电流 Current A	启动转矩 Starting Torque mN.m	额定转矩 Rated Torque mN.m	额定转速 Rated Speed r/min	电容器容量 Capacitor μF
齿轮轴型 Pinion Shaft	圆轴型 Round Shaft								
3RK15GN-A	3RK15A-A	15	1ph 100	50	0.40	110	125	1200	7.0
				60	0.56	105	105	1450	
3RK15GN-E	3RK15A-E	15	1ph110	60	0.43	85	105	1450	6.0
			1ph120		0.42				
3RK15GN-C	3RK15A-C	15	1ph220	50	0.23	110	125	1200	1.5
			1ph230						
3RK15GN-H	3RK15A-H	15	1ph220	60	0.20	85	105	1450	1.5
			1ph230			90			

- 可逆电动机的额定转矩、启动转矩数值均为未安装简易制动时的数值。  
Values shown for rated torque and starting torque are measured for operation without the friction brake installed.
- 各种安全规格以电动机铭牌上的型号取得认定。  
When the motor is approved under various safety standards, the model name on the nameplate is the approved model name.
- Ⓢ: 内置热保护装置(自动复位型)。在电动机因某种原因过热时会自行启动使电动机停止。  
Contains a built-in thermal protector(automatic return). If a motor overheats for any reason, the thermal protector is opened and the motor stops.
- 电动机温度下降后会自行恢复运行,故在进行检查作业时请务必事先切断电源。  
When the motor temperature drops, the thermal protector closes and the motor restarts. Be sure to turn the motor off before inspecting.
- 注:“-A”型号中电压为110V时,配置电容器容量以实际铭牌为准。  
Note:“-A” it means the voltage 110v,the assembly capacitor vaule it is according the labe.

## 种类 Type

● 电动机 Motor

机型 Type	型号Model	
	齿轮轴型 Pinion Shaft	圆轴型 Round Shaft
导线型 Lead Wire Type	3RK15GN-A	3RK15A-A
	3RK15GN-E	3RK15A-E
	3RK15GN-C	3RK15A-C
	3RK15GN-H	3RK15A-H

● 平行轴减速器(另售) Parallel Shaft Gearhead (Sold Separately)

减速器种类 Gearhead Type	减速器型号 Gearhead Model	减速比 Gear Ratio
长寿命●低噪音 Long Life ● Low Noise	3GN□K	3、3.6、5、6、7.5、9、 12.5、15、18、25、30、 36、50、60、75、90、 100、120、150、180、200
	3GN10XK (中间减速器 Decimal Gearhead)	

- 减速器型号的□中为减速比的数值  
Enter the gear ratio in the box (□) within the model name

## ■ 装有减速器时的容许转矩 Gear Motor-Torque Table

- 减速器另售·中间减速器另售。  
Gearhead and mid-gearbox can be sold separately.
- 减速品型号的□中为减速比的数值。  
Enter the gear ratio in the box(□) within the model name.
- □色表示与电动机同一方向运转，其他则为相反方向。  
The colored background □ indicates the same rotating direction of the motor while the rotating direction of others are opposite.
- 转速是以电动机的同步转速（50Hz：1500r/min、60Hz：1800r/min）为基准除以减速比而算出来的数值。实际转速将随负载大小变化所示数值减少2%~20%左右。  
The speed is calculated by dividing the motor's synchronous speed(50Hz：1500r/min、60Hz：1800r/min) by the gear ratio. The actual speed is 2%~20% less than the displayed value, depending on the size of the load.
- 希望以大于下表的减速比进行进一步减速时，可在电动机与减速机之间安装减速比为10的中间减速机。这时的容许转矩为5N·m。  
To reduce the speed beyond the gear ratio in the table, attach a decimal gearhead(gear ratio:10)between the gearhead and motor. In that case, the permissible torque is 5 N·m.

## ■ 容许力矩单位 Allowance Torque Unit：上段 Upside ( N.m ) /下段 Belowside ( kgf.cm )

类型 Type 电动机/减速机 Motor/Gearhead	减速比 Gear Ratio		3	3.6	5	6	7.5	9	12.5	15	18	25	30	36	50	60	75	90	100	120	150	180	200
	转速 Speed r/min	50Hz	500	417	300	250	200	166	120	100	83	60	50	41	30	25	20	16	15	12.5	10	8.3	7.5
		60Hz	600	500	360	300	240	200	144	120	100	72	60	50	36	30	24	20	18	15	12	10	9
3RK15GN-A 3RK15GN-E 3RK15GN-C 3RK15GN-H	3GN□K	50Hz	0.30	0.36	0.51	0.61	0.76	0.91	1.3	1.5	1.8	2.3	2.7	3.3	4.1	5	5	5	5	5	5	5	5
			3.06	3.67	5.20	6.22	7.75	9.28	13.2	15.3	18.3	23.4	27.5	33.7	41.8	50	50	50	50	50	50	50	50
		60Hz	0.26	0.31	0.43	0.51	0.64	0.77	1.1	1.3	1.5	1.9	2.3	2.8	3.5	4.2	5	5	5	5	5	5	5
			2.65	3.16	4.38	5.20	6.53	7.85	11.2	13.2	15.3	19.3	23.4	28.5	35.7	42.8	50	50	50	50	50	50	50

## ■ 容许悬挂负载·容许轴向负载 To Allow The Hoisting Of The Load Allow Axial Load

电动机 (圆轴型) →P272页

Motor(Round Shaft) →P272

减速机→272页

Gearhead→P272

## ■ 减速机的容许负载惯性惯量 J Permissible Load Inertia J For Gearhead

→272页→P272

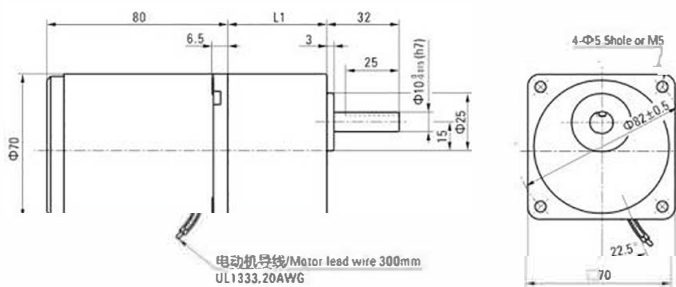
## ■ 外形图 (单位 mm) Dimensions(Unit mm)

减速机附有安装用螺丝 Mounting screws are included with gearhead.

## ● 导线型 Lead Wiring Type

重量 Weight：电动机 Motor：1.15kg

减速机 Gearhead：0.5kg



电动机型号 Motor Model	减速机型号 Gearhead Model	减速比 Gear Ratio	L1
3RK15GN-A 3RK15GN-E 3RK15GN-C 3RK15GN-H	3GN□K	3~18	32
		25~200	42

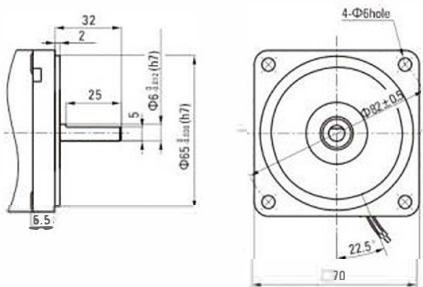
- 减速机型号的□中为减速比的数值  
Enter the gear ratio in the box (□) within the model name

● 键·键槽 (减速器附件) Key · Keyway(Accessory Of Gearhead)



● 圆轴型的转轴部分 Shaft Section Of Round Shaft Type

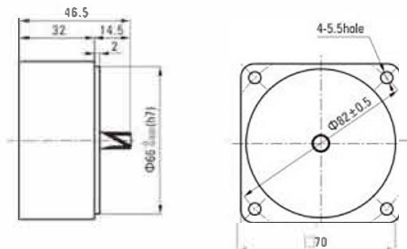
除重量及轴部外电动机外形与齿轮轴型相同。  
Excluding weight and the shaft section motor shape are the same as those of the pinion shaft type.



● 中间减速器 Decimal Gearhead

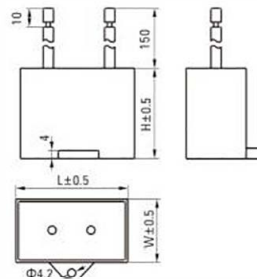
可安装在GN齿轮轴型上 Can be connected to GN pinion shaft type  
电动机外形与齿轮轴型相同

3GN10XK  
重量 Weight : 0.31kg



■ 电容器外形尺寸 Formal Dimension Of Capacitor

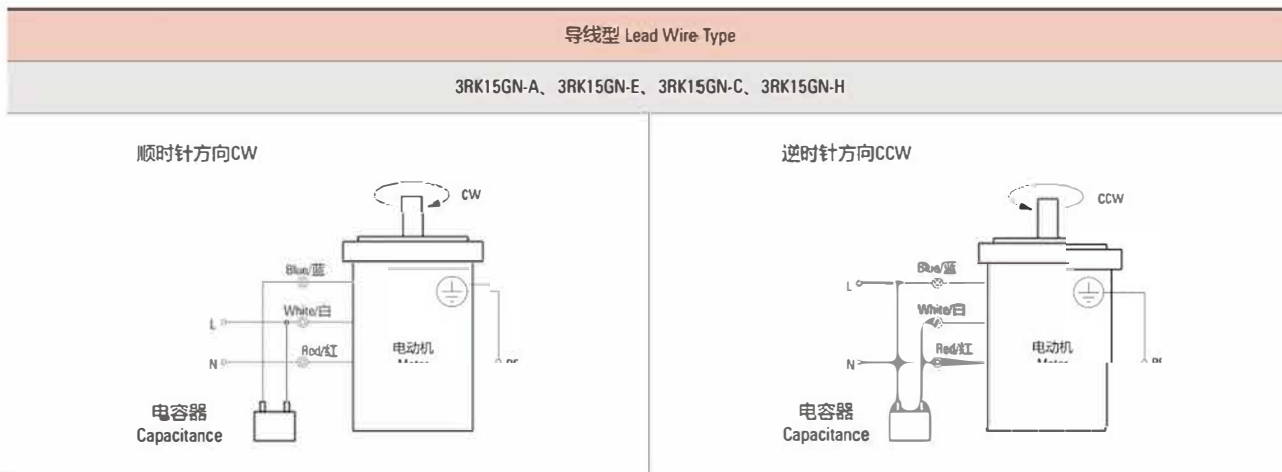
型号Model		电容器型号 Capacitor Model	L	W	H
齿轮轴型 Pinion Shaft	圆轴型 Round Shaft				
3RK15GN-A	3RK15A-A	ZD70CFAUL	47	24	37
3RK15GN-E	3RK15A-E	ZD60CFAUL	48	23	32
3RK15GN-C	3RK15A-C	ZD15BFAUL	36	12.5	24



- 常规电容器出线为引线,也可根据客户要求配置插片式187#  
Note: Conventional capacitor is a lead wire type. Inserted 187# is optional

■ 连接图 Wiring Diagram

- 运转方向指从电动机轴看来的方向。CW表示顺时针方向, CCW表示逆时针方向。  
The direction of motor rotation is as viewed from the shaft end of motor. CW represents the clockwise direction, while CCW represents the counterclockwise direction.
- 表中所记品名为齿轮轴型, 圆轴型亦同。 Name indicated in the list is pinion shaft type, also valid for the equivalent round shaft type.

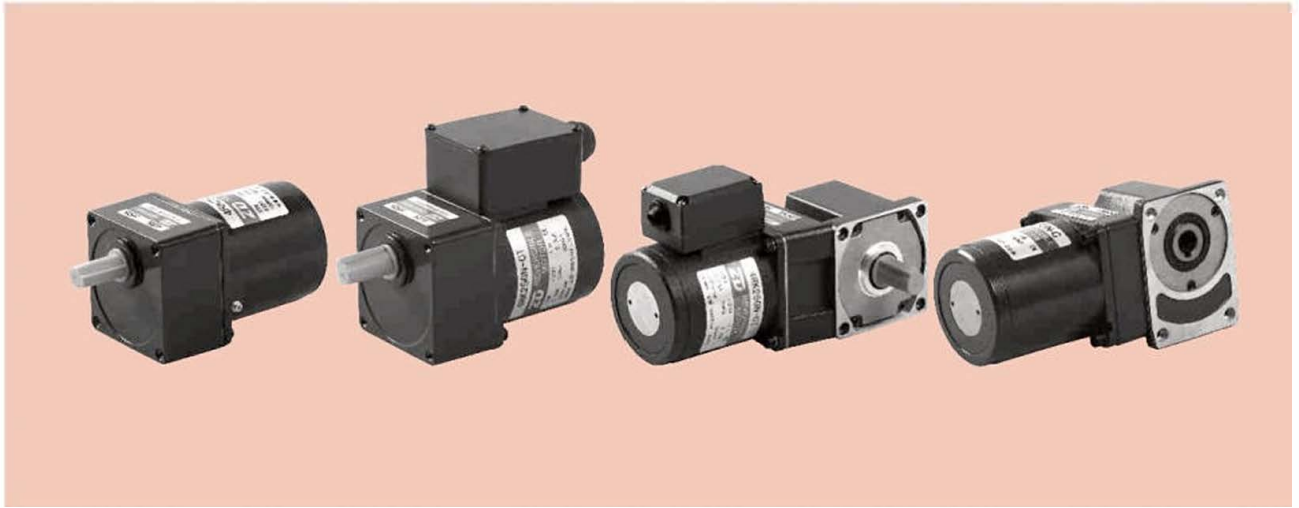


请注意 Note:

单相电动机运转方向的转换应在电动机停止后进行。  
Change the direction of single-phase motor rotation only after bring the motor to a stop.  
若在电动机运转时转换运转方向, 可能发生无法转换运转方向或须费时较久的情况。  
If an attempt is made to change the direction of rotation while the motor is rotating, motor may ignore reversing command or change its direction of rotation after some delay.

# 可逆电动机 REVERSIBLE MOTORS

■ 25W □ 80mm



## 规格 Specs 30分钟额定 30 Minutes Rating

型号 Model · 类型 Type		输出功率 Output power W	电压 Voltage V	频率 Frequency Hz	电流 Current A	启动转矩 Starting Torque mN.m	额定转矩 Rated Torque mN.m	额定转速 Rated Speed r/min	电容器容量 Capacitor μF
上段:齿轮轴 Upper:Pinion Shaft 下段():内轴 Below:Round Shaft	导线型 Lead Wire Type 外形图Dimensions①								
4RK25GN-A (4RK25A-A)	4RK25GN-AT (4RK25A-AT)	25	1ph 100	50	0.59	160	200	1250	10.0
				60	0.69	140	165	1550	
4RK25GN-E (4RK25A-E)	4RK25GN-ET (4RK25A-ET)	25	1ph 110	60	0.45	140	165	1550	8.0
			1ph 120		0.50				
4RK25GN-C (4RK25A-C)	4RK25GN-CT (4RK25A-CT)	25	1ph 220	50	0.29	140	200	1250	2.2
			1ph 230		0.30				
4RK25GN-H (4RK25A-H)	4RK25GN-HT (4RK25A-HT)	25	1ph 220	60	0.35	140	165	1550	2.2
			1ph 230						

- 可逆电动机的额定转矩、启动转矩数值均为未安装简易制动时的数值。  
Values shown for rated torque and starting torque are measured for operation without the friction brake installed.
- 各种安全规格以电动机铭牌上的型号取得认定。  
When the motor is approved under various safety standards, the model name on the nameplate is the approved model name.
- (T): 内置热保护装置(自动复位型)。在电动机因某种原因过热时会自行启动使电动机停止。  
Contains a built-in thermal protector(automatic return). If a motor overheats for any reason, the thermal protector is opened and the motor stops.
- 电动机温度下降后会自动恢复运行,故在进行检查作业时请务必事先切断电源。  
When the motor temperature drops, the thermal protector closes and the motor restarts. Be sure to turn the motor off before inspecting.
- 注:“-A”型号中电压为110V时,配置电容器容量以实际铭牌为准。  
Note:“-A” it means the voltage 110v,the assembly capacitor vaule it is according the labe.

## 种类 Type

### ● 电动机 Motor

机型 Type	型号 Model	
	齿轮轴型 Pinion Shaft	圆轴型 Round Shaft
导线型 Lead Wire Type	4RK25GN-A	4RK25A-A
	4RK25GN-E	4RK25A-E
	4RK25GN-C	4RK25A-C
	4RK25GN-H	4RK25A-H
带端子 箱型 Terminal Box Type	4RK25GN-AT	4RK25A-AT
	4RK25GN-ET	4RK25A-ET
	4RK25GN-CT	4RK25A-CT
	4RK25GN-HT	4RK25A-HT

### ● 平行轴减速器(另售) Parallel Shaft Gearhead (Sold Separately)

减速器种类 Gearhead Type	减速器型号 Gearhead Model	减速比 Gear Ratio
长寿命●低噪音 Long Life ● Low Noise	4GN□K	3、3.6、5、6、7.5、9、 12.5、15、18、25、30、 36、50、60、75、90、 100、120、150、180、200
	4GN10XK (中间减速器 Decimal Gearhead)	

- 减速器型号的□中为减速比的数值  
Enter the gear ratio in the box (□) within the model name



### ■ 装有减速器时的容许转矩 Gear Motor-Torque Table

- 减速器另售·中间减速器另售。电动机型号的□中为表示带端子箱型的记号(T)。  
Gearhead and midgearbox can be sold separately. Enter the code that represents the terminal box type (T) in the box (□) within the model name.
- 减速品型号的□中为减速比的数值。  
Enter the gear ratio in the box(□) within the model name.
- □色表示与电动机同一方向运转，其他则为相反方向。  
The colored background □ indicates the same rotating direction of the motor while the rotating direction of others are opposite.
- 转速是以电动机的同步转速 (50Hz : 1500r/min、60Hz : 1800r/min) 为基准除以减速比而算出来的数值。实际转速将随负载大小变化所示数值减少2%~20%左右。  
The speed is calculated by dividing the motor's synchronous speed(50Hz : 1500r/min、60Hz : 1800r/min) by the gear ratio. The actual speed is 2%~20% less than the displayed value, depending on the size of the load.
- 希望以大于下表的减速比进行进一步减速时，可在电动机与减速机之间安装减速比为10的中间减速机。这时的容许转矩为8N·m。但安装了1/25~1/36的减速器时，容许转矩为6N·m  
To reduce the speed beyond the gear ratio in the table, attach a decimal gearhead(gear ratio:10)between the gearhead and motor. In that case, the permissible torque is 8N·m. When a gearhead of 1/25~1/36 is connected, the value for permissible torque is 6N·m.

### ■ 容许力矩单位 Allowance Torque Unit : 上段 Upside ( N.m ) /下段 Belowside ( kgf.cm )

类型 Type 电动机/减速机 Motor/Gearhead	减速比 GearRatio		3	3.6	5	6	7.5	9	12.5	15	18	25	30	36	50	60	75	90	100	120	150	180	200	
	转速 Speed r/min	50Hz	500	417	300	250	200	166	120	100	83	60	50	41	30	25	20	16	15	12.5	10	8.3	7.5	
		60Hz	600	500	360	300	240	200	144	120	100	72	60	50	36	30	24	20	18	15	12	10	9	
4RK25GN-A□ 4RK25GN-E□ 4RK25GN-C□ 4RK25GN-H□	4GN□K	50Hz	0.49	0.58	0.81	0.97	1.2	1.5	2.0	2.4	2.9	3.7	4.4	5.3	6.6	7.9	8	8	8	8	8	8	8	
			5.00	5.91	8.26	9.89	12.2	15.3	20.4	24.4	29.6	37.7	44.9	54.1	67.3	80	80	80	80	80	80	80	80	
		60Hz	0.40	0.48	0.67	0.80	1.0	1.2	1.7	2.0	2.4	3.0	3.6	4.3	5.4	6.5	8	8	8	8	8	8	8	8
			4.08	4.89	6.83	8.16	10.2	12.2	17.3	20.4	24.4	30.6	36.7	43.8	55.1	66.3	80	80	80	80	80	80	80	80

### ■ 容许悬挂负载 · 容许轴向负载 To Allow The Hoisting Of The Load Allow Axial Load

电动机 (圆轴型) → 272页      Motor(Round Shaft) → P272  
 减速机 → 272页      Gearhead → P272

### ■ 减速机的容许负载惯性惯量 J Permissible Load Inertia J For Gearhead

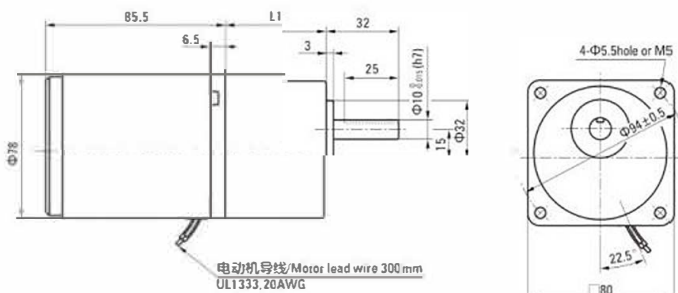
→ 272页 → P272

### ■ 外形图 (单位 mm) Dimensions(Unit mm)

减速器附有安装用螺丝 Mounting screws are included with gearhead.

#### ● 导线型 Lead Wiring Type ①

重量 Weight : 电动机 Motor : 1.65kg      减速器 Gearhead : 0.8kg



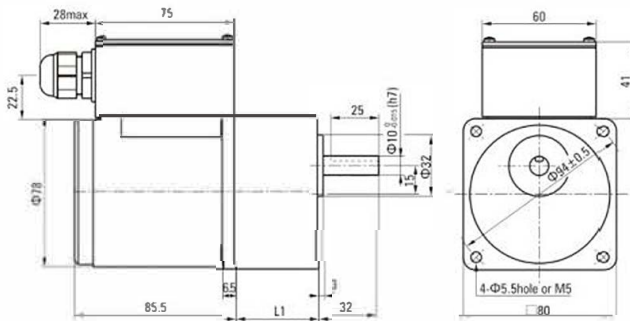
电动机型号 Motor Model	减速器型号 Gearhead Model	减速比 Gear Ratio	L1
4RK25GN-A 4RK25GN-E 4RK25GN-C	4GN□K	3~18	32
4RK25GN-H		25~200	43.5

- 减速器型号的□中为减速比的数值  
Enter the gear ratio in the box (□) within the model name

● 带端子箱型 Terminal Box Type ②

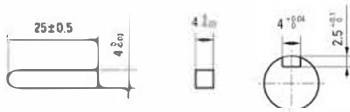
重量 Weight : 电动机 Motor : 1.75kg

减速器 Gearhead : 0.8kg



- 适用电缆直径为 Use cable with a diameter of  $\Phi 6 \sim \Phi 12$ mm

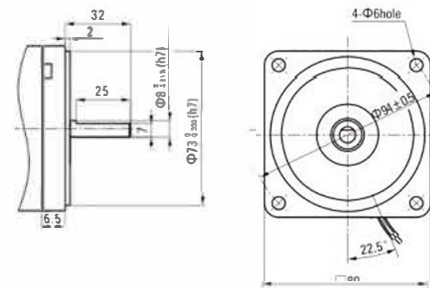
● 键·键槽 (减速器附件) Key · Keyway(Accessory Of Gearhead)



● 圆轴型的转轴部分 Shaft Section Of Round Shaft Type

除重量及轴部外电动机外形与齿轮轴型相同。

Excluding weight and the shaft section motor shape are the same as those of the pinion shaft type.



■ 电容器外形尺寸 Formal Dimension Of Capacitor

型号 Model		电容器型号 Capacitor Model	L	W	H
齿轮轴型 Pinion Shaft	圆轴型 Round Shaft				
4RK25GN-A	4RK25A-A	ZD100CFAUL	58	26	38
4RK25GN-E	4RK25A-E	ZD80CFAUL	48	26.5	38
4RK25GN-C	4RK25A-C	ZD188FAUL	37	15	27

- 常规电容器出线为引线,也可根据客户要求配置插片式187#

Note: Conventional capacitor is a lead wire type. Inserted 187# is optional

- 电动机型号的□中为表示带端子箱型的记号(T)

Enter the code that represents the terminal box type (T) in the box (□) within the model name

电动机型号 Motor Model	减速器型号 Gearhead Model	减速比 Gear Ratio	L1
4RK25GN-AT	4GN□K	3~18	32
4RK25GN-ET			
4RK25GN-CT		43.5	
4RK25GN-HT			43.5
4RK25GN-ST	43.5		

- 减速器型号的□中为减速比的数值

Enter the gear ratio in the box (□) within the model name

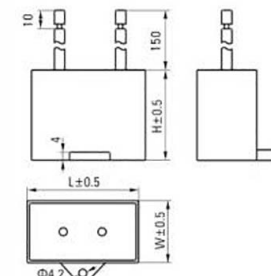
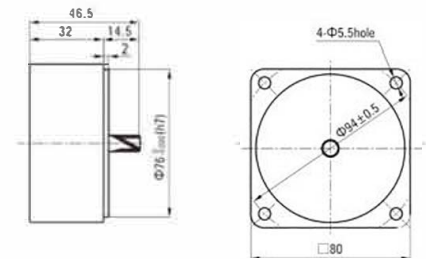
● 中间减速器 Decimal Gearhead

可安装在GN齿轮轴型上 Can be connected to GN pinion shaft type

电动机外形与齿轮轴型相同

4GN10XK

重量 Weight : 0.41kg



# 弧锥直角 SPIRAL BEVEL RIGHT ANGLE

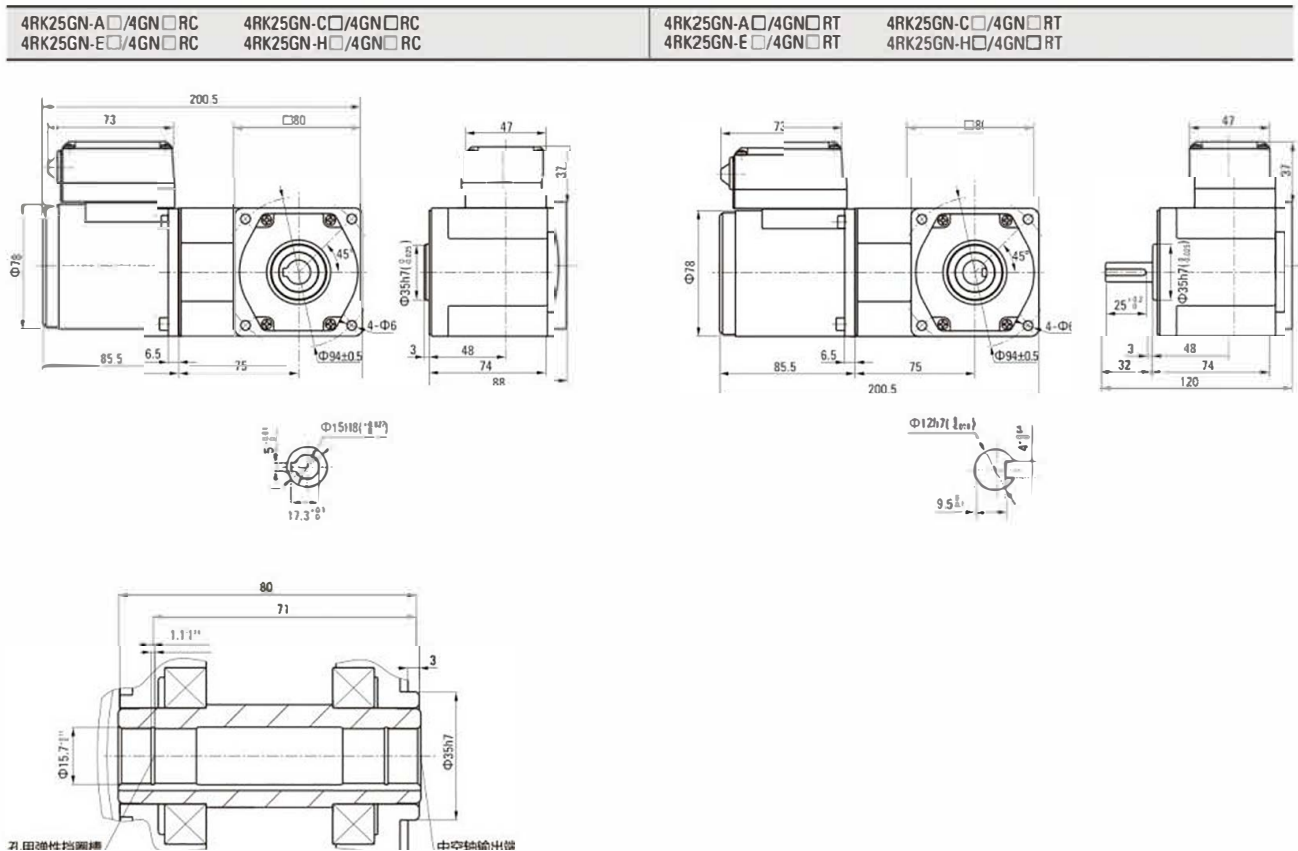
## ■ 装有减速器时的容许转矩 Gear Motor-Torque Table

- 减速器 中间减速器另售。 • 电动机型号的□中为表示带端子箱型的记号(T)。  
Gearhead and mid-gearbox can be sold separately. Enter the code that represents the terminal box type (T) in the box (□) within the model name.
- 减速器型号的□中为减速比的数值。 □ 色表示与电动机同一方向运转，其他则为相反方向。  
Enter the gear ratio in the box (□) within the model name.  
The colored background □ indicates the same rotating direction of the motor while the rotating direction of others are opposite.
- 转速是以电动机的同步转速 (50Hz:1500r/min、60Hz:1800r/min) 为基准除以减速比而算出来的数值。实际转速将随负载大小变化而比所示数值减少2%~20%左右。  
The speed is calculated by dividing the motor's synchronous speed (50Hz:1500r/min、60Hz:1800r/min) by the gear ratio. The actual speed is 2%~20% less than the displayed value, depending on the size of the load.
- 希望以大于下表的减速比进行进一步减速时，可在电动机与减速器之间安装减速比为10的中间减速器。这时的容许转矩为8N·m。  
To reduce the speed beyond the gear ratio in the table, attach a mid-gearbox (gear ratio:10) between the gearhead and motor. In that case, the permissible torque is 8N·m.

## ■ 容许力矩单位 Allowance Torque Unit: 上段 Upside (N.m) / 下段 Belowside (kgf.cm)

机型Type 电动机/减速器 Motor/Gearhead	减速比Gear Ratio	容许力矩 Allowance Torque																				
		3	3.6	R	6	7.5	9	12.5	15	18	25	30	3.6	50	60	75	90	100	120	150	180	
4RK25GN-A□ 4RK25GN-E□ 4RK25GN-C□ 4RK25GN-H□ 4RK25GN-S□	4GN□RC 4GN□RT	50Hz	500	417	300	250	200	166	120	100	83	60	50	417	30	25	20	16	15	12	10	8
		60Hz	600	500	360	300	240	200	144	120	100	72	60	500	36	30	24	20	18	15	12	10
4RK25GN-A□ 4RK25GN-E□ 4RK25GN-C□ 4RK25GN-H□ 4RK25GN-S□	4GN□RC 4GN□RT	50Hz	0.36	0.43	0.59	0.71	0.99	1.18	1.64	1.97	2.37	3.29	3.95	4.73	6.58	7.10	8.00	8.00	8.00	8.00	8.00	8.00
		60Hz	0.29	0.34	0.48	0.57	0.80	0.95	1.33	1.59	1.91	2.65	3.18	3.82	5.30	5.73	7.16	8.00	8.00	8.00	8.00	8.00
4RK25GN-A□ 4RK25GN-E□ 4RK25GN-C□ 4RK25GN-H□ 4RK25GN-S□	4GN□RC 4GN□RT	50Hz	3.62	4.35	6.04	7.25	10.1	12.1	16.8	20.1	24.2	33.5	40.3	48.3	67.1	72.5	80.0	80.0	80.0	80.0	80.0	80.0
		60Hz	2.92	3.51	4.87	5.84	8.12	9.74	13.5	16.2	19.5	27.1	32.5	39.0	54.1	58.4	73.0	80.0	80.0	80.0	80.0	80.0

## ■ 可逆尺寸图 Reversible Type Drawing



## 蜗轮蜗杆直角 WORM GEAR RIGHT ANGLE

### ■ 装有减速器时的容许转矩 Gear Motor-Torque Table

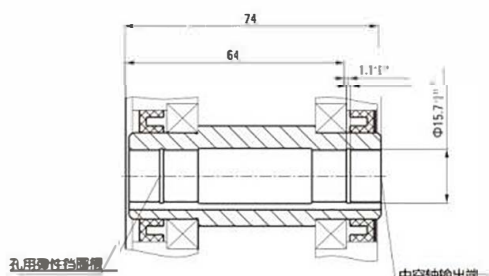
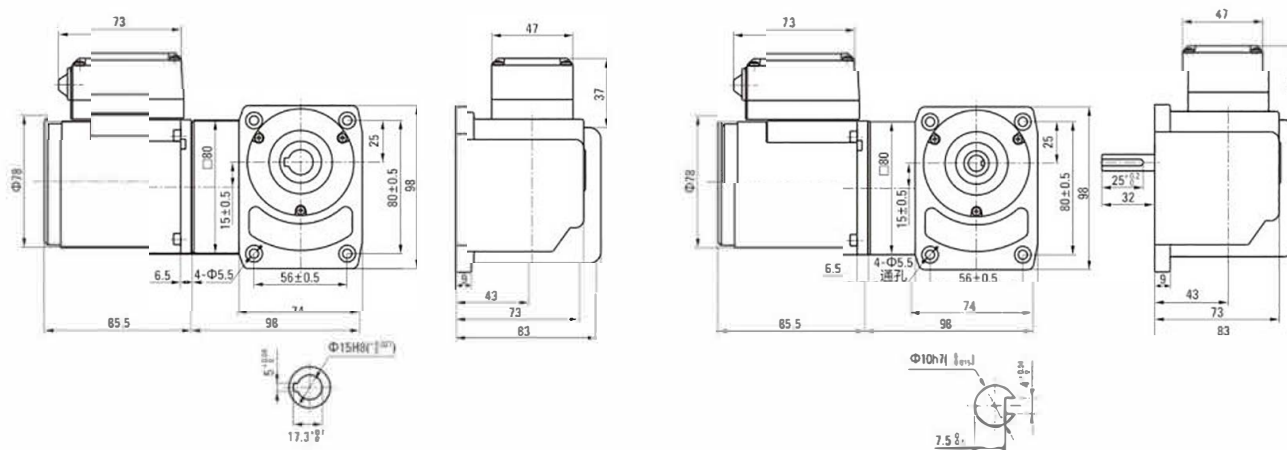
- 减速器-中间减速器另售。• 电动机型号的□中为表示带端子箱型的记号(T)。  
Gearhead and mid-gearbox can be sold separately. Enter the code that represents the terminal box type (T) in the box (□) within the model name.
- 减速器型号的□中为减速比的数值。□色表示与电动机同一方向运转，其他则为相反方向。  
Enter the gear ratio in the box (□) within the model name.  
The colored background □ indicates the same rotating direction of the motor while the rotating direction of others are opposite.
- 转速是以电动机的同步转速 (50Hz:1500r/min、60Hz:1800r/min) 为基准除以减速比而算出来的数值。实际转速将随负载大小变化而比所示数值减少2%~20%左右。  
The speed is calculated by dividing the motor's synchronous speed (50Hz:1500r/min、60Hz:1800r/min) by the gear ratio. The actual speed is 2%~20% less than the displayed value, depending on the size of the load.
- 希望以大于下表的减速比进行进一步减速时，可在电动机与减速器之间安装减速比为10的中间减速器。这时的容许转矩为8N·m。  
To reduce the speed beyond the gear ratio in the table, attach a mid-gearbox (gear ratio:10) between the gearhead and motor. In that case, the permissible torque is 8N·m.

### ■ 容许力矩单位 Allowance Torque Unit: 上段 Upside (N.m) / 下段 Belowside (kgf.cm)

机型Type	减速比Gear Ratio	3	3.6	5	6	7.5	9	12.5	15	18	25	30	3.6	50	60	75	90	100	120	150	180	
电动机/减速器 Motor/Gearhead	转速Speed r/min	50Hz	500	417	300	250	200	166	120	100	83	60	50	417	30	25	20	16	15	12	10	8
	60Hz	600	500	360	300	240	200	144	120	100	72	60	500	36	30	24	20	18	15	12	10	
4RK25GN-A□ 4RK25GN-E□ 4GN□RH 4RK25GN-C□ 4GN□RA 4RK25GN-H□	容许力矩 Allowance Torque	50Hz	0.26	0.31	0.39	0.46	0.58	0.70	0.97	1.16	1.39	1.93	2.32	2.78	3.87	4.64	5.80	6.96	7.74	8.00	8.00	8.00
			2.63	3.16	3.95	4.74	5.92	7.10	9.87	11.8	14.2	19.7	23.7	28.4	39.5	47.4	59.2	71.0	78.9	80.0	80.0	80.0
		60Hz	0.21	0.31	0.39	0.46	0.58	0.70	0.97	1.16	1.39	1.93	2.32	2.78	3.87	4.64	5.82	6.96	7.74	8.00	8.00	8.00
			2.12	3.16	3.95	4.74	5.92	7.10	9.87	11.8	14.2	19.7	23.7	28.4	39.5	47.4	59.2	71.0	78.9	80.0	80.0	80.0

### ■ 可逆尺寸图 Reversible Type Drawing

4RK25GN-A□/4GN□RH 4RK25GN-E□/4GN□RH	4RK25GN-C□/4GN□RH 4RK25GN-H□/4GN□RH	4RK25GN-A□/4GN□RA 4RK25GN-E□/4GN□RA	4RK25GN-C□/4GN□RA 4RK25GN-H□/4GN□RA
--	--	--	--



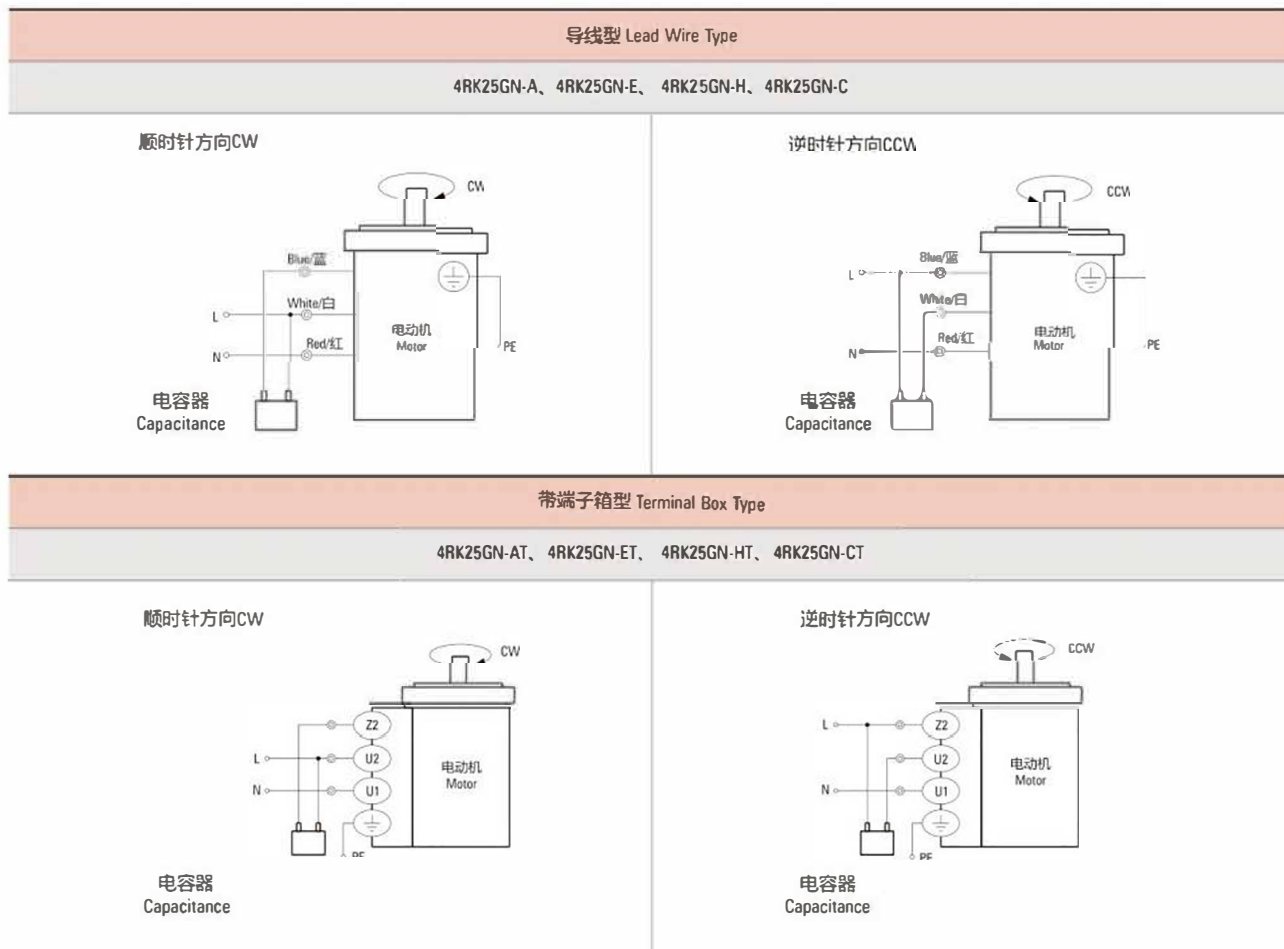
## ■ 连接图 Wiring Diagram

- 运转方向指从电动机轴看来的方向。CW表示顺时针方向，CCW表示逆时针方向。

The direction of motor rotation is as viewed from the shaft end of motor. CW represents the clockwise direction, while CCW represents the counterclockwise direction.

- 表中所记品名为齿轮轴型，圆轴型亦同。

Name indicated in the list is pinion shaft type, also valid for the equivalent round shaft type.



### 请注意 Note:

单相电动机运转方向的转换应在电动机停止后进行。

Change the direction of single-phase motor rotation only after bring the motor to a stop.

若在电动机运转时转换运转方向，可能发生无法转换运转方向或须费时较久的情况。

If an attempt is made to change the direction of rotation while the motor is rotating, motor may ignore reversing command or change its direction of rotation after some delay.

# 可逆电动机 REVERSIBLE MOTORS

■ 40W □ 90mm



## 规格 Specs 30分钟额定 30 Minutes Rating

型号Model · 类型 Type		输出功率 Output power	电压 Voltage	频率 Frequency	电流 Current	启动转矩 Starting Torque	额定转矩 Rated Torque	额定转速 Rated Speed	电容器容量 Capacitor
上段:齿轮轴 Upper:Pinion Shaft	下段():内:圆轴 Below:Round Shaft								
导线型 Lead Wire Type	带端子箱型 Terminal Box Type	W	V	Hz	A	mN.m	mN.m	r/min	μF
外形图Dimensions①	外形图Dimensions②								
5RK40GN-A (5RK40A-A)	5RK40GN-AT (5RK40A-AT)	40	1ph 100	50	0.78	300	315	1250	15.0
				60	1.05		260	1550	
5RK40GN-E (5RK40A-E)	5RK40GN-ET (5RK40A-ET)	40	1ph 110	60	0.79	260	260	1550	12.0
			1ph 120		0.80				
5RK40GN-C (5RK40A-C)	5RK40GN-CT (5RK40A-CT)	40	1ph 220	50	0.45	270	315	1250	3
			1ph 230						
5RK40GN-H (5RK40A-H)	5RK40GN-HT (5RK40A-HT)	40	1ph 220	60	0.45	270	260	1550	3
			1ph 230						

●各种安全规格以电动机铭牌上的型号名取得认证。

When the motor is approved under various safety standards, the model name on the nameplate is the approved model name.

●注：“-A”型号中电压为110V时，配置电容器容量以实际铭牌为准。

Note:“-A” it means the voltage 110v,the assembly capacitor vaule it is according the labe.

## 种类 Type

● 电动机 Motor

机型 Type	型号Model	
	齿轮轴型 Pinion Shaft	圆轴型 Round Shaft
导线型 Lead Wire Type	5RK40GN-A	5RK40A-A
	5RK40GN-E	5RK40A-E
	5RK40GN-C	5RK40A-C
	5RK40GN-H	5RK40A-H
带端子箱型 Terminal Box Type	5RK40GN-AT	5RK40A-AT
	5RK40GN-ET	5RK40A-ET
	5RK40GN-CT	5RK40A-CT
	5RK40GN-HT	5RK40A-HT

● 平行轴减速器 (另售) Parallel Shaft Gearhead (Sold Separately)

减速器种类 Gearhead Type	减速器型号 Gearhead Model	减速比 Gear Ratio
长寿命●低噪音 Long Life ● Low Noise	5GN□K	3、3.6、5、6、7.5、9、 12.5、15、18、25、30、 36、50、60、75、90、 100、120、150、180、200
	5GN10XK (中间减速器 Decimal Gearhead)	

●减速器型号的□中为减速比的数值

Enter the gear ratio in the box (□) within the model name

## ■ 装有减速器时的容许转矩 Gear Motor-Torque Table

- 减速器另售·中间减速器另售。电动机型号的□中为表示带端子箱型的记号(T)。  
Gearhead and mid-gearbox can be sold separately. Enter the code that represents the terminal box type (T) in the box (□) within the model name.
- 减速品型号的□中为减速比的数值。  
Enter the gear ratio in the box(□) within the model name.
- □色表示与电动机同一方向运转，其他则为相反方向。  
The colored background □ indicates the same rotating direction of the motor while the rotating direction of others are opposite.
- 转速是以电动机的同步转速 (50Hz : 1500r/min、60Hz : 1800r/min) 为基准除以减速比而算出来的数值。实际转速将随负载大小变化所示数值减少2%~20%左右。  
The speed is calculated by dividing the motor's synchronous speed(50Hz : 1500r/min、60Hz : 1800r/min) by the gear ratio. The actual speed is 2%~20% less than the displayed value, depending on the size of the load.
- 希望以大于下表的减速比进行进一步减速时，可在电动机与减速机之间安装减速比为10的中间减速机。这时的容许转矩为8N·m。  
To reduce the speed beyond the gear ratio in the table, attach a decimal gearhead(gear ratio:10)between the gearhead and motor. In that case, the permissible torque is 8N·m.

## ■ 容许力矩单位 Allowance Torque Unit : 上段 Upside ( N.m ) /下段 Belowside ( kgf.cm )

类型 Type 电动机/减速机 Motor/Gearhead	减速比 Gear Ratio	容许力矩																					
		3	3.6	5	6	7.5	9	12.5	15	18	25	30	36	50	60	75	90	100	120	150	180	200	
5RK40GN-A□ 5RK40GN-E□ 5RK40GN-C□ 5RK40GN-H□	5GN□K	50Hz	500	417	300	250	200	166	120	100	83	60	50	41	30	25	20	16	15	12.5	10	8.3	7.5
		60Hz	600	500	360	300	240	200	144	120	100	72	60	50	36	30	24	20	18	15	12	10	9
	5GN□K	50Hz	0.77	0.92	1.3	1.5	1.9	2.3	3.2	3.8	4.6	5.7	6.9	8.3	10	10	10	10	10	10	10	10	10
		60Hz	0.63	0.76	1.1	1.3	1.6	1.9	2.6	3.2	3.8	4.7	5.7	6.8	8.6	10	10	10	10	10	10	10	10

## ■ 容许悬挂负载 · 容许轴向负载 To Allow The Hoisting Of The Load Allow Axial Load

电动机 (圆轴型) → 272页      Motor(Round Shaft) → P272  
减速机 → 272页      Gearhead → P272

## ■ 减速机的容许负载惯性惯量 J Permissible Load Inertia J For Gearhead

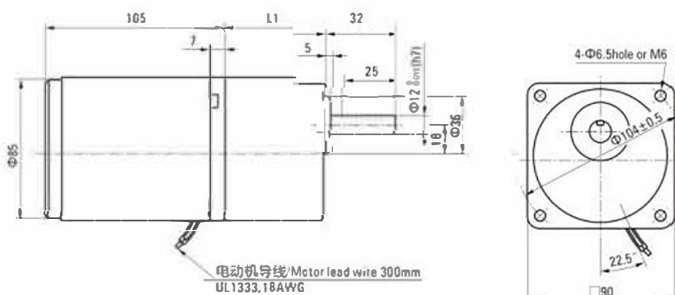
→ 272页 → P272

## ■ 外形图 (单位 mm) Dimensions(Unit mm)

减速器附有安装用螺丝 Mounting screws are included with gearhead.

### ● 导线型 Lead Wiring Type ①

重量 Weight : 电动机 Motor : 1.65kg      减速器 Gearhead : 0.8kg



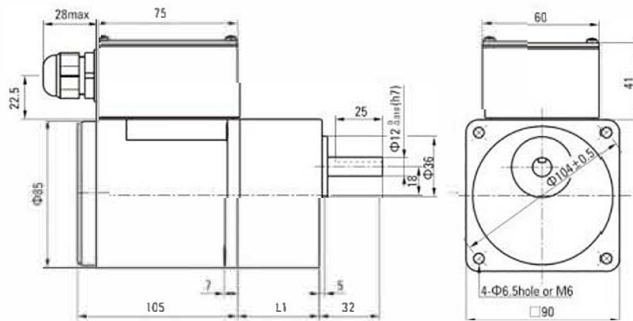
电动机型号 Motor Model	减速器型号 Gearhead Model	减速比 Gear Ratio	L1
5RK40GN-A 5RK40GN-E 5RK40GN-C 5RK40GN-H	5GN□K	3~18	42
		25~200	60

- 减速器型号的□中为减速比的数值  
Enter the gear ratio in the box ( □ ) within the model name

● 带端子箱型 Terminal Box Type 2

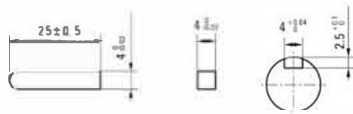
重量 Weight : 电动机 Motor : 2.6kg

减速器 Gearhead : 1.35kg



● 适用电缆直径为 Use cable with a diameter of  $\Phi 6 \sim \Phi 12 \text{mm}$

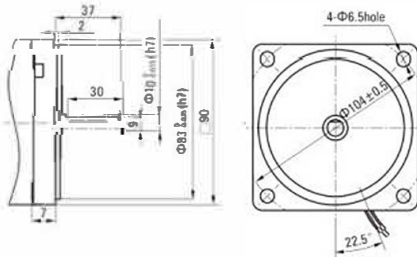
● 键·键槽 (减速器附件) Key·Keyway(Accessory Of Gearhead)



● 圆轴型的转轴部分 Shaft Section Of Round Shaft Type

除重量及轴部外电动机外形与齿轮轴型相同。

Excluding weight and the shaft section motor shape are the same as those of the pinion shaft type.



电动机型号 Motor Model	减速器型号 Gearhead Model	减速比 Gear Ratio	L1
5RK40GN-AT 5RK40GN-ET 5RK40GN-CT 5RK40GN-HT	5GN□K	3~18	42
		25~200	60

● 减速器型号的□中为减速比的数值

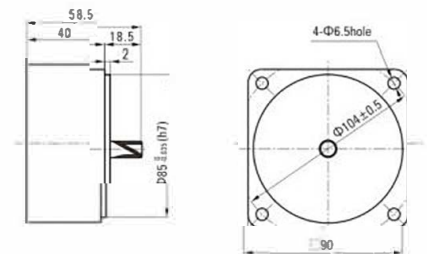
Enter the gear ratio in the box (□) within the model name

● 中间减速器 Decimal Gearhead

可安装在GN齿轮轴型上 Can be connected to GN pinion shaft type  
电动机外形与齿轮轴型相同

5GN10XK

重量 Weight : 0.6kg



■ 电容器外形尺寸 Formal Dimension Of Capacitor

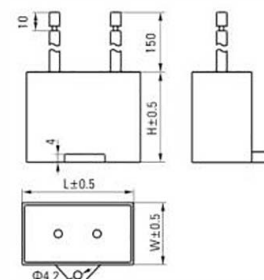
型号 Model		电容器型号 Capacitor Model	L	W	H
齿轮轴型 Pinion Shaft	圆轴型 Round Shaft				
5RK40GN-A	5RK40A-A	ZD150CFAUL	58	23	43
5RK40GN-E	5RK40A-E	ZD120CFAUL	58	30	40
5RK40GN-C	5RK40A-C	ZD30BFAUL	38	18.5	29

● 常规电容器出线为引线,也可根据客户要求配置插片式187#

Note: Conventional capacitor is a lead wire type. Inserted 187# is optional

● 电动机型号的□中为表示带端子箱型的记号(T)

Enter the code that represents the terminal box type (T) in the box (□) within the model name





# 弧锥直角 SPIRAL BEVEL RIGHT ANGLE

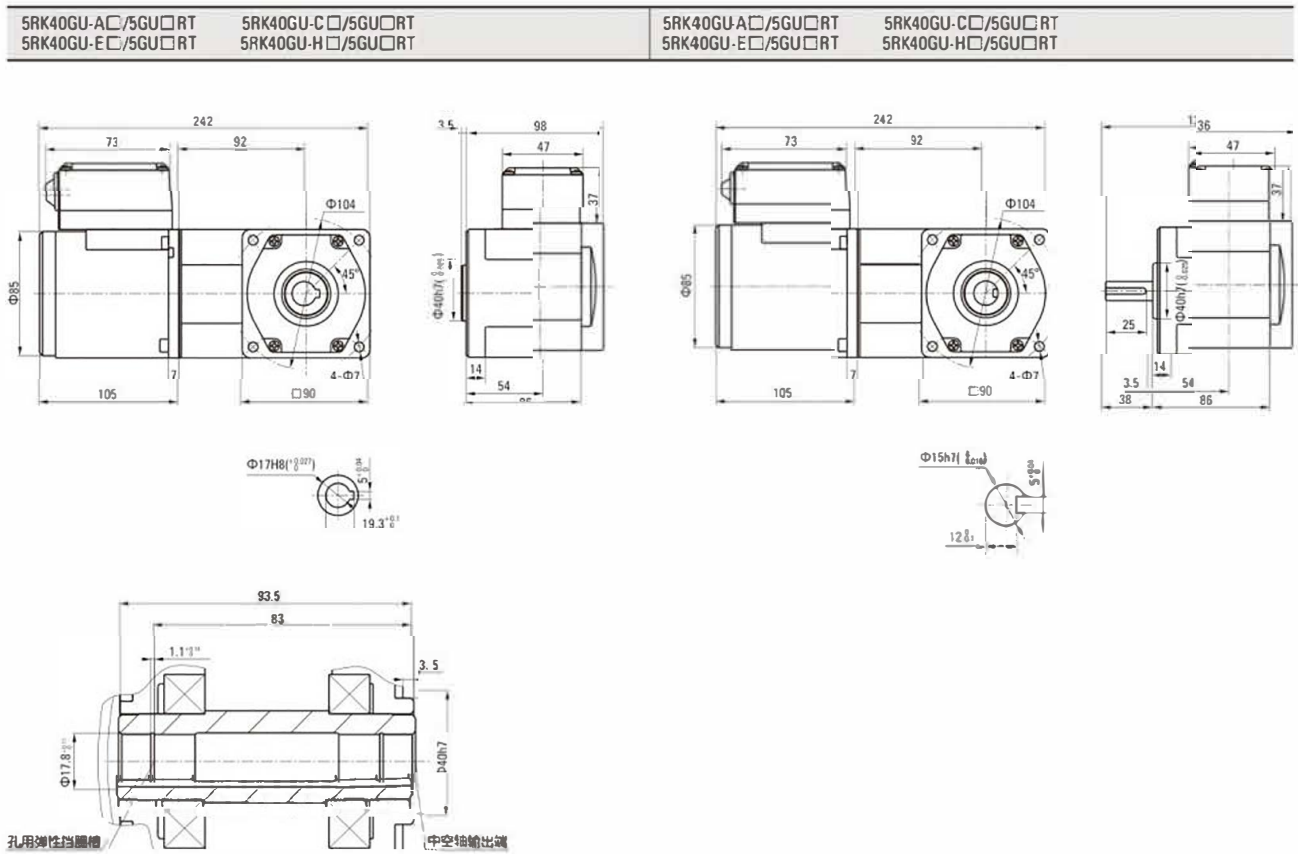
## ■ 装有减速器时的容许转矩 Gear Motor-Torque Table

- 减速器 中间减速器另售。 • 电动机型号的□中为表示带端子箱型的记号(T)。  
Gearhead and mid-gearbox can be sold separately. Enter the code that represents the terminal box type (T) in the box (□) within the model name.
- 减速器型号的□中为减速比的数值。 □ 色表示与电动机同一方向运转，其他则为相反方向。  
Enter the gear ratio in the box (□) within the model name.  
The colored background □ indicates the same rotating direction of the motor while the rotating direction of others are opposite.
- 转速是以电动机的同步转速 (50Hz:1500r/min、60Hz:1800r/min) 为基准除以减速比而算出来的数值。实际转速将随负载大小变化而比所示数值减少2%~20%左右。  
The speed is calculated by dividing the motor's synchronous speed (50Hz:1500r/min、60Hz:1800r/min) by the gear ratio. The actual speed is 2%~20% less than the displayed value, depending on the size of the load.
- 希望以大于下表的减速比进行进一步减速时，可在电动机与减速器之间安装减速比为10的中间减速器。这时的容许转矩为20N·m。  
To reduce the speed beyond the gear ratio in the table, attach a mid-gearbox (gear ratio:10) between the gearhead and motor. In that case, the permissible torque is 20N·m.

## ■ 容许力矩单位 Allowance Torque Unit: 上段 Upside (N.m) / 下段 Belowside (kgf.cm)

机型Type	减速比Gear Ratio	3	3.6	5	6	7.5	9	12.5	15	18	25	30	3.6	50	60	75	90	100	120	150	180	
电动机/减速器 Motor/Gearhead	转速Speed r/min	50Hz	500	417	300	250	200	166	120	100	83	60	50	417	30	25	20	16	15	12	10	8
	60Hz	600	500	360	300	240	200	144	120	100	72	60	500	36	30	24	20	18	15	12	10	
5RK40GU-A□ 5RK40GU-E□ 5GU□RC 5RK40GU-C□ 5GU□RT 5RK40GU-H□	容许力矩 Allowance Torque	50Hz	0.57	0.68	0.59	1.14	1.58	1.89	2.63	3.16	3.79	5.26	6.31	6.8	9.5	11.4	14.2	17.0	18.9	20.0	20.0	20.0
			5.80	6.96	9.66	11.6	16.1	19.3	26.8	32.2	38.6	53.7	64.4	70	97	116	145	174	193	200	200	200
		60Hz	0.46	0.55	0.76	0.92	1.27	1.53	2.12	2.55	3.05	4.24	5.09	5.50	7.64	9.16	11.5	13.7	15.3	18.3	20.0	20.0
			4.67	5.61	7.79	9.35	13.0	15.6	21.6	26.0	31.2	43.3	51.9	56.1	77.9	93.5	117	140	156	187	200	200

## ■ 可逆尺寸图 Reversible Type Drawing



# 蜗轮蜗杆直角 WORM GEAR RIGHT ANGLE

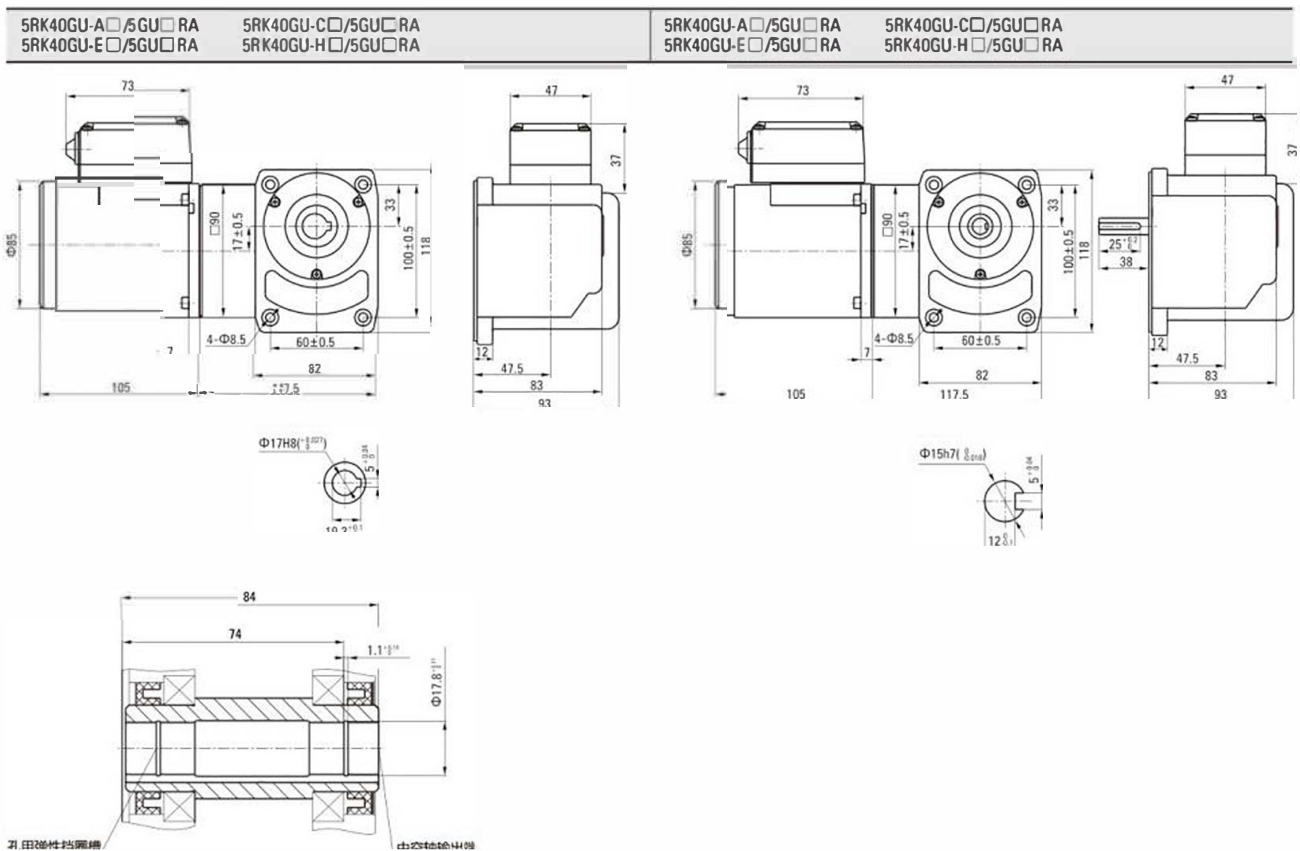
## ■ 装有减速器时的容许转矩 Gear Motor-Torque Table

- 减速器-中间减速器另售。 • 电动机型号的□中为表示带端子箱型的记号(T)。  
Gearhead and mid-gearbox can be sold separately. Enter the code that represents the terminal box type (T) in the box (□) within the model name.
- 减速器型号的□中为减速比的数值。 □ 色表示与电动机同一方向运转，其他则为相反方向。  
Enter the gear ratio in the box (□) within the model name.  
The colored background □ indicates the same rotating direction of the motor while the rotating direction of others are opposite.
- 转速是以电动机的同步转速 (50Hz:1500r/min、60Hz:1800r/min) 为基准除以减速比而算出来的数值。实际转速将随负载大小变化而比所示数值减少2%~20%左右。  
The speed is calculated by dividing the motor's synchronous speed (50Hz:1500r/min、60Hz:1800r/min) by the gear ratio. The actual speed is 2%~20% less than the displayed value, depending on the size of the load.
- 希望以大于下表的减速比进行进一步减速时，可在电动机与减速器之间安装减速比为10的中间减速器。这时的容许转矩为20N·m。  
To reduce the speed beyond the gear ratio in the table, attach a mid-gearbox (gear ratio:10) between the gearhead and motor. In that case, the permissible torque is 20N·m.

## ■ 容许力矩单位 Allowance Torque Unit: 上段 Upside (N.m) / 下段 Belowside (kgf.cm)

机型Type	减速比Gear Ratio	3	3.6	5	6	7.5	9	12.5	15	18	25	30	3.6	50	60	75	90	100	120	150	180	
电动机/减速器 Motor/Gearhead	转速Speed r/min	50Hz	500	417	300	250	200	166	120	100	83	60	50	417	30	25	20	16	15	12	10	8
	60Hz	600	500	360	300	240	200	144	120	100	72	60	500	36	30	24	20	18	15	12	10	
5RK40GU-A□ 5RK40GU-E□ 5GU□RH 5RK40GU-C□ 5GU□RA 5RK40GU-H□	容许力矩 Allowance Torque	50Hz	0.41	0.50	0.62	0.74	0.93	1.11	1.55	1.86	2.23	3.09	3.71	4.46	6.19	7.43	9.28	11.1	12.4	14.9	18.6	20.0
			4.21	5.05	6.31	7.58	9.47	11.4	15.8	18.9	22.7	31.6	37.9	45.5	63.1	75.8	94.7	114	126	152	189	200
		60Hz	0.33	0.40	0.50	0.60	0.75	0.90	1.25	1.50	1.80	2.50	2.99	3.59	4.99	5.99	7.49	8.98	9.98	12.0	15.0	18.0
			3.39	4.07	5.09	6.11	7.64	9.17	12.7	15.3	18.3	25.5	30.6	36.7	50.9	61.1	76.4	91.7	102	122	153	183

## ■ 可逆尺寸图 Reversible Type Drawing



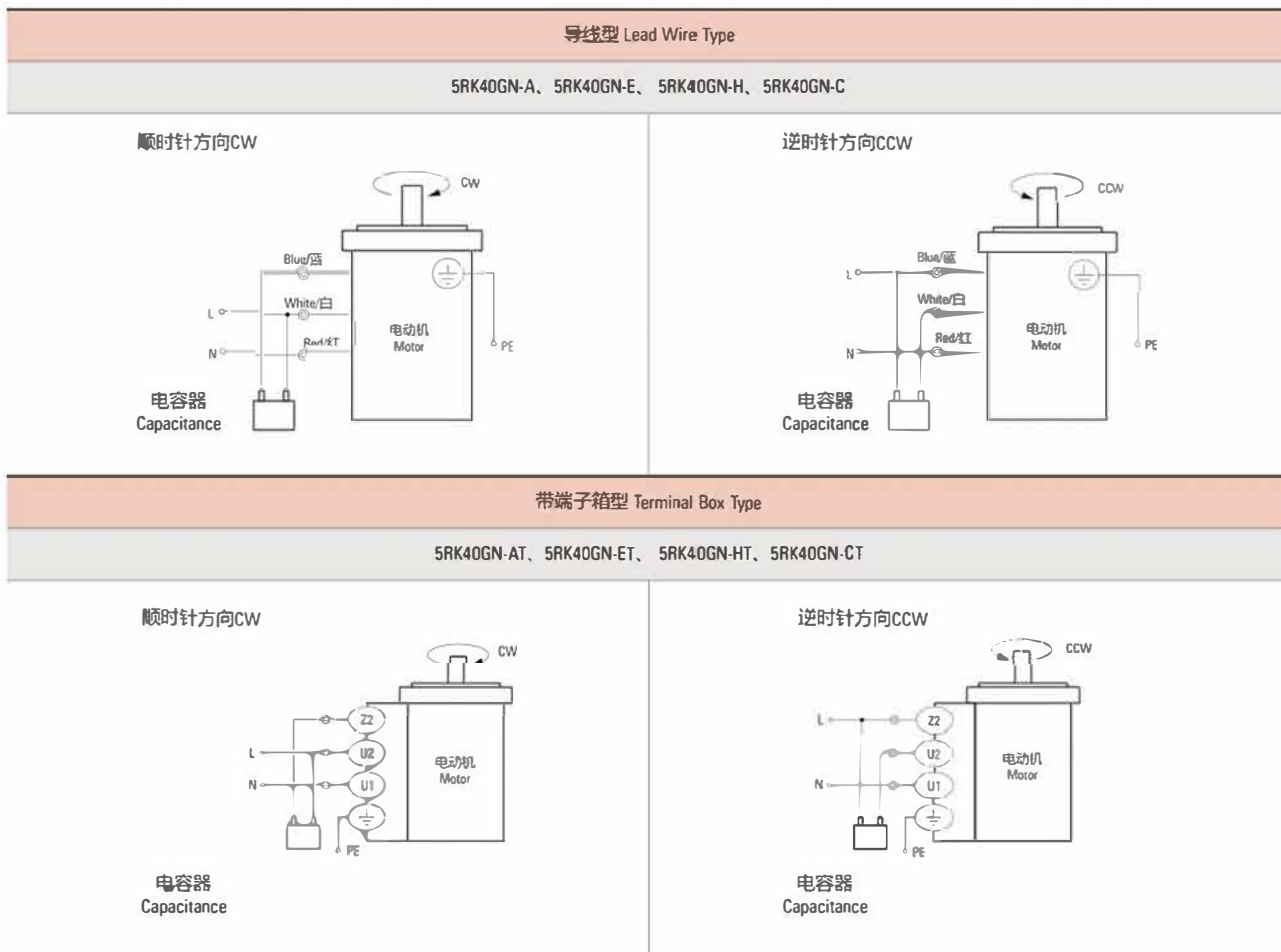
## 连接图 Wiring Diagram

- 运转方向指从电动机轴看来的方向。CW表示顺时针方向，CCW表示逆时针方向。

The direction of motor rotation is as viewed from the shaft end of motor. CW represents the clockwise direction, while CCW represents the counterclockwise direction.

- 表中所记品名为齿轮轴型，圆轴型亦同。

Name indicated in the list is pinion shaft type, also valid for the equivalent round shaft type.



### 请注意 Note:

单相电动机运转方向的转换应在电动机停止后进行。

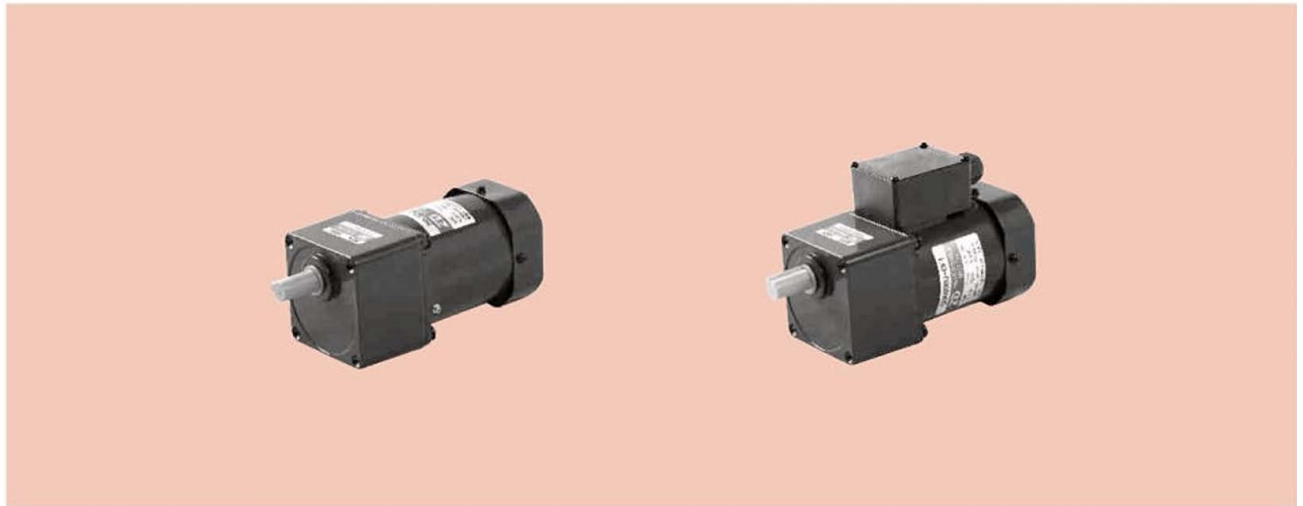
Change the direction of single-phase motor rotation only after bring the motor to a stop.

若在电动机运转时转换运转方向，可能发生无法转换运转方向或须费时较久的情况。

If an attempt is made to change the direction of rotation while the motor is rotating, motor may ignore reversing command or change its direction of rotation after some delay.

# 可逆电动机 REVERSIBLE MOTORS

■ 60W □ 90mm



## 规格 Specs 30分钟额定 30 Minutes Rating

型号 Model · 类型 Type		输出功率 Output power	电压 Voltage	频率 Frequency	电流 Current	启动转矩 Starting Torque	额定转矩 Rated Torque	额定转速 Rated Speed	电容器容量 Capacitor
上段:齿轮轴 Upper:Pinion Shaft	下段()内:圆轴 Below:Round Shaft								
导线型 Lead Wire Type	带端子箱型 Terminal Box Type	W	V	Hz	A	mN.m	mN.m	r/min	μF
外形图Dimensions①	外形图Dimensions②								
5RK60GN-AF (5RK60A-AF)	5RK60GN-AFT (5RK60A-AFT)	60	1ph 100	50	1.26	470	470	1250	25.0
				60			380	1550	
5RK60GN-EF (5RK60A-EF)	5RK60GN-EFT (5RK60A-EFT)	60	1ph 110	60	1.05	330	380	1550	15.0
			1ph 120			380			
5RK60GN-CF (5RK60A-CF)	5RK60GN-CFT (5RK60A-CFT)	60	1ph 220	50	0.55	420	470	1250	4.5
			1ph 230			460			
5RK60GN-HF (5RK60A-HF)	5RK60GN-HFT (5RK60A-HFT)	60	1ph 220	60	0.55	420	380	1550	4.5
			1ph 230			460			

●各种安全规格以电动机铭牌上的型号名取得认证。

When the motor is approved under various safety standards, the model name on the nameplate is the approved model name.

●注：“-A”型号中电压为110V时，配置电容器容量以实际铭牌为准。

Note:“-A” it means the voltage 110V, the assembly capacitor vaule it is according the labe.

## 种类 Type

● 电动机 Motor

机型 Type	型号 Model	
	齿轮轴型 Pinion Shaft	圆轴型 Round Shaft
导线型 Lead Wire Type	5RK60GN-AF	5RK60A-AF
	5RK60GN-EF	5RK60A-EF
	5RK60GN-CF	5RK60A-CF
	5RK60GN-HF	5RK60A-HF
带端子箱型 Terminal Box Type	5RK60GN-AFT	5RK60A-AFT
	5RK60GN-EFT	5RK60A-EFT
	5RK60GN-CFT	5RK60A-CFT
	5RK60GN-HFT	5RK60A-HFT

● 平行轴减速器 (另售) Parallel Shaft Gearhead (Sold Separately)

减速器种类 Gearhead Type	减速器型号 Gearhead Model	减速比 Gear Ratio
长寿命●低噪音 Long Life ● Low Noise	5GN□K	3、3.6、5、6、7.5、9、12.5、15、18、25、30、36、50、60、75、90、100、120、150、180、200
	5GN10XK (中间减速器 Decimal Gearhead)	

●减速器型号的□中为减速比的数值

Enter the gear ratio in the box (□) within the model name

## ■ 装有减速器时的容许转矩 Gear Motor-Torque Table

- 减速器另售·中间减速器另售。  
Gearhead and midgearbox can be sold separately.
- 减速品型号的□中为减速比的数值。  
Enter the gear ratio in the box(□) within the model name.
- □色表示与电动机同一方向运转，其他则为相反方向。  
The colored background □ indicates the same rotating direction of the motor while the rotating direction of others are opposite.
- 转速是以电动机的同步转速（50Hz：1500r/min、60Hz：1800r/min）为基准除以减速比而算出来的数值。实际转速将随负载大小变化所示数值减少2%~20%左右。  
The speed is calculated by dividing the motor's synchronous speed(50Hz：1500r/min、60Hz：1800r/min) by the gear ratio. The actual speed is 2%~20% less than the displayed value, depending on the size of the load.
- 希望以大于下表的减速比进行进一步减速时，可在电动机与减速机之间安装减速比为10的中间减速机。这时的容许转矩为10N·m。  
To reduce the speed beyond the gear ratio in the table, attach a decimal gearhead(gear ratio:10)between the gearhead and motor. In that case, the permissible torque is 10N·m.

## ■ 容许力矩单位 Allowance Torque Unit：上段 Upside ( N.m ) /下段 Belowside ( kgf.cm )

类型 Type 电动机/减速机 Motor/Gearhead	减速比 Gear Ratio		3	3.6	5	6	7.5	9	12.5	15	18	25	30	36	50	60	75	90	100	120	150	180	200	
	转速 Speed r/min		50Hz	500	417	300	250	200	166	120	100	83	60	50	41	30	25	20	16	15	12.5	10	8.3	7.5
5RK60GN-AF□ 5RK60GN-EF□ 5RK60GN-CF□ 5RK60GN-HF□	5GN□K	50Hz	1.1	1.4	1.9	2.3	2.9	3.4	4.8	5.7	6.8	8.6	10	10	10	10	10	10	10	10	10	10	10	10
		60Hz	0.92	1.1	1.5	1.8	2.3	2.8	3.8	4.6	5.5	6.9	8.3	10	10	10	10	10	10	10	10	10	10	10
			9.38	11.2	15.3	18.3	23.4	28.5	38.7	46.9	56.1	70.1	84.7	100	100	100	100	100	100	100	100	100	100	100

## ■ 容许悬挂负载·容许轴向负载 To Allow The Hoisting Of The Load Allow Axial Load

电动机(圆轴型)→P272页

Motor(Round Shaft)→P272

减速机→P272页

Gearhead→P272

## ■ 减速机的容许负载惯性惯量 J Permissible Load Inertia J For Gearhead

→P272页→P272

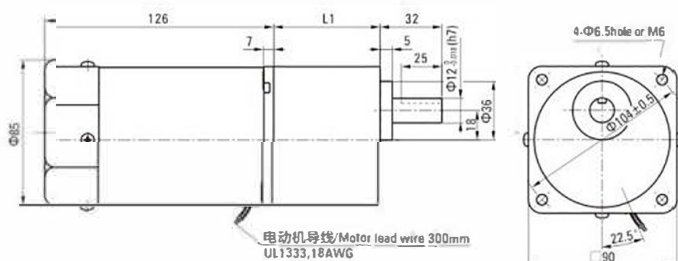
## ■ 外形图(单位 mm) Dimensions(Unit mm)

减速机附有安装用螺丝 Mounting screws are included with gearhead.

### ● 导线型 Lead Wiring Type ①

重量 Weight：电动机 Motor：2.75kg

减速机 Gearhead：1.35kg



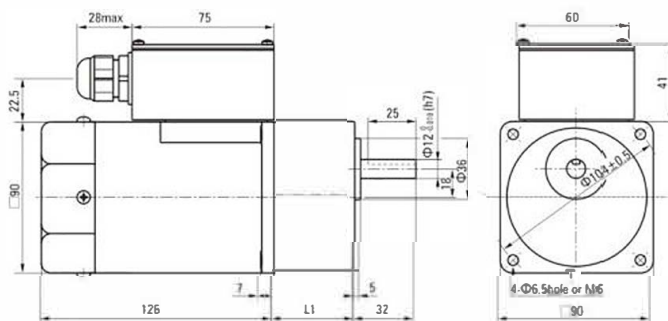
电动机型号 Motor Model	减速机型号 Gearhead Model	减速比 Gear Ratio	L1
5RK60GN-AF	5GN□K	3~18	42
5RK60GN-EF		25~200	60
5RK60GN-CF			
5RK60GN-HF			

- 减速机型号的□中为减速比的数值  
Enter the gear ratio in the box (□) within the model name

● 带端子箱型 Terminal Box Type 2

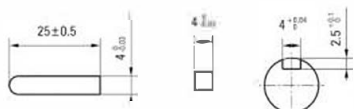
重量 Weight : 电动机 Motor : 2.9kg

减速器 Gearhead : 1.35kg



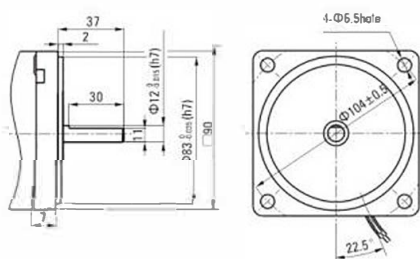
● 适用电缆直径为 Use cable with a diameter of  $\Phi 6 \sim \Phi 12$ mm

● 键·键槽 (减速器附件) Key · Keyway(Accessory Of Gearhead)



● 圆轴型的转轴部分 Shaft Section Of Round Shaft Type

除重量及轴部外电动机外形与齿轮轴型相同。  
Excluding weight and the shaft section motor shape are the same as those of the pinion shaft type.



电动机型号 Motor Model	减速器型号 Gearhead Model	减速比 Gear Ratio	L1
5RK60GN-AFT	5GN□K	3~18	42
5RK60GN-EFT			
5RK60GN-CFT			
5RK60GN-HFT	5GN□K	25~200	60
5RK60GN-SFT			

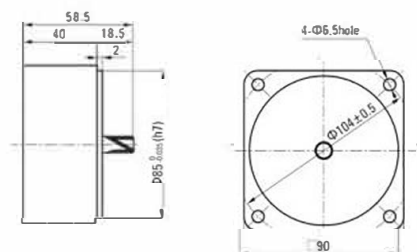
● 减速器型号的□中为减速比的数值  
Enter the gear ratio in the box (□) within the model name

● 中间减速器 Decimal Gearhead

可安装在GN齿轮轴型上 Can be connected to GN pinion shaft type  
电动机外形与齿轮轴型相同

5GN10XK

重量 Weight : 0.6kg



■ 电容器外形尺寸 Formal Dimension Of Capacitor

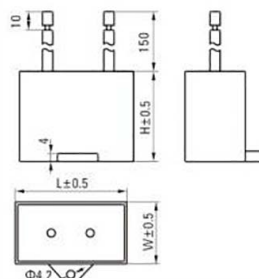
型号 Model		电容器型号 Capacitor Model	L	W	H
齿轮轴型 Pinion Shaft	圆轴型 Round Shaft				
5RK60GN-AF	5RK60A-AF	ZD250CFAUL	47	27	37
5RK60GN-EF	5RK60A-EF	ZD150CFAUL	47	20	31
5RK60GN-CF	5RK60A-CF	ZD45BFAUL	47	19	31

● 常规电容器出线为引线,也可根据客户要求配置插片式187#

Note: Conventional capacitor is a lead wire type. Inserted 187# is optional

● 电动机型号的□中为表示带端子箱型的记号(T)

Enter the code that represents the terminal box type (T) in the box (□) within the model name



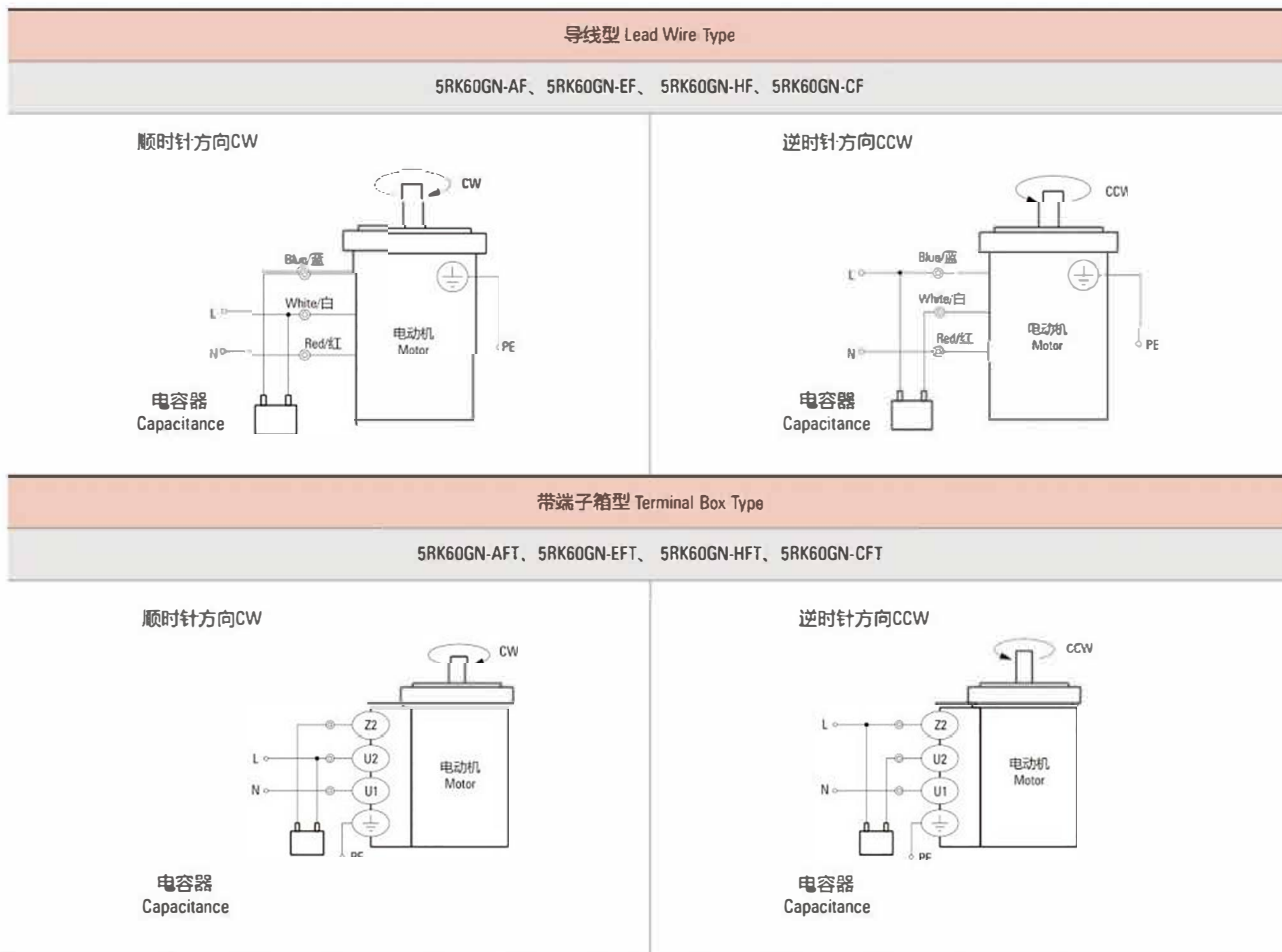
## 连接图 Wiring Diagram

● 运转方向指从电动机轴看来的方向。CW表示顺时针方向，CCW表示逆时针方向。

The direction of motor rotation is as viewed from the shaft end of motor. CW represents the clockwise direction, while CCW represents the counterclockwise direction.

● 表中所记品名为齿轮轴型，圆轴型亦同。

Name indicated in the list is pinion shaft type, also valid for the equivalent round shaft type.



### 请注意 Note:

单相电动机运转方向的转换应在电动机停止后进行。

Change the direction of single-phase motor rotation only after bring the motor to a stop.

若在电动机运转时转换运转方向，可能发生无法转换运转方向或须费时较久的情况。

If an attempt is made to change the direction of rotation while the motor is rotating, motor may ignore reversing command or change its direction of rotation after some delay.

# 可逆电动机 REVERSIBLE MOTORS

■ 60W □ 90mm



## 规格 Specs 30分钟额定 30 Minutes Rating

型号 Model · 类型 Type		输出功率 Output power	电压 Voltage	频率 Frequency	电流 Current	启动转矩 Starting Torque	额定转矩 Rated Torque	额定转速 Rated Speed	电容器容量 Capacitor
上段: 齿轮轴 Upper: Pinion Shaft	下段(): 圆轴 Below: Round Shaft								
导线型 Lead Wire Type	带端子箱型 Terminal Box Type	W	V	Hz	A	mN.m	mN.m	r/min	μF
外形图 Dimensions①		外形图 Dimensions②							
5RK60GU-AF	5RK60GU-AFT	60	1ph 100	50	1.26	470	470	1250	25.0
				60	1.70		380	1550	
5RK60GU-EF	5RK60GU-EFT	60	1ph 110	60	1.05	330	380	1550	15.0
			1ph 120			380			
5RK60GU-CF	5RK60GU-CFT	60	1ph 220	50	0.55	420	470	1250	4.5
			1ph 230		0.60				
5RK60GU-HF	5RK60GU-HFT	60	1ph 220	60	0.55	420	380	1550	4.5
			1ph 230		0.60				

●各种安全规格以电动机铭牌上的型号名取得认证。

When the motor is approved under various safety standards, the model name on the nameplate is the approved model name.

●注：“-A”型号中电压为110V时，配置电容器容量以实际铭牌为准。

Note:“-A” it means the voltage 110V, the assembly capacitor value it is according to the label.

## 种类 Type

● 电动机 Motor

机型 Type	型号 Model	
	齿轮轴型 Pinion Shaft	圆轴型 Round Shaft
导线型 Lead Wire Type	5RK60GU-AF	5RK60A-AF
	5RK60GU-EF	5RK60A-EF
	5RK60GU-CF	5RK60A-CF
	5RK60GU-HF	5RK60A-HF
带端子箱型 Terminal Box Type	5RK60GU-AFT	5RK60A-AFT
	5RK60GU-EFT	5RK60A-EFT
	5RK60GU-CFT	5RK60A-CFT
	5RK60GU-HFT	5RK60A-HFT

● 平行轴减速器 (另售) Parallel Shaft Gearhead (Sold Separately)

减速器种类 Gearhead Type	减速器型号 Gearhead Model	减速比 Gear Ratio
长寿命●低噪音 Long Life ● Low Noise	5GU□KB	3、3.6、5、6、7.5、9、12.5、15、18、25、30、36、50、60、75、90、100、120、150、180、200
	5GU10XK (中间减速器 Decimal Gearhead)	

●减速器型号的□中为减速比的数值

Enter the gear ratio in the box (□) within the model name



## ■ 装有减速器时的容许转矩 Gear Motor-Torque Table

- 减速器另售·中间减速器另售。电动机型号的□中为表示带端子箱型的记号(T)。  
Gearhead and mid-gearbox can be sold separately. Enter the code that represents the terminal box type (T) in the box (□) within the model name.
- 减速品型号的□中为减速比的数值。  
Enter the gear ratio in the box(□) within the model name.
- □色表示与电动机同一方向运转，其他则为相反方向。  
The colored background □ indicates the same rotating direction of the motor while the rotating direction of others are opposite.
- 转速是以电动机的同步转速（50Hz：1500r/min、60Hz：1800r/min）为基准除以减速比而算出来的数值。实际转速将随负载大小变化所示数值减少2%~20%左右。  
The speed is calculated by dividing the motor's synchronous speed(50Hz：1500r/min、60Hz：1800r/min) by the gear ratio. The actual speed is 2%~20% less than the displayed value, depending on the size of the load.
- 希望以大于下表的减速比进行进一步减速时，可在电动机与减速机之间安装减速比为10的中间减速机。这时的容许转矩为10N·m。  
To reduce the speed beyond the gear ratio in the table, attach a decimal gearhead(gear ratio:10)between the gearhead and motor. In that case, the permissible torque is 10N·m.

## ■ 容许力矩单位 Allowance Torque Unit：上段 Upside ( N.m ) /下段 Belowside ( kgf.cm )

类型 Type 电动机/减速机 Motor/Gearhead	减速比 Gear Ratio	容许力矩																					
		3	3.6	5	6	7.5	9	12.5	15	18	25	30	36	50	60	75	90	100	120	150	180	200	
5RK60GU-AF□ 5RK60GU-EF□ 5RK60GU-CF□ 5RK60GU-HF□	5GU□KB 5GU□K	50Hz	1.1	1.4	1.9	2.3	2.9	3.4	4.8	5.7	6.8	8.6	10	10.3	12.4	15.5	18.6	20	20	20	20	20	20
	60Hz	0.92	1.1	1.5	1.8	2.3	2.8	3.8	4.6	5.5	6.9	8.3	8.3	10	12.5	15	18.8	20	20	20	20	20	20

## ■ 容许悬挂负载·容许轴向负载 To Allow The Hoisting Of The Load Allow Axial Load

电动机(圆轴型)→P272页 Motor(Round Shaft)→P272  
减速机→P272页 Gearhead→P272

## ■ 减速机的容许负载惯性惯量 J Permissible Load Inertia J For Gearhead

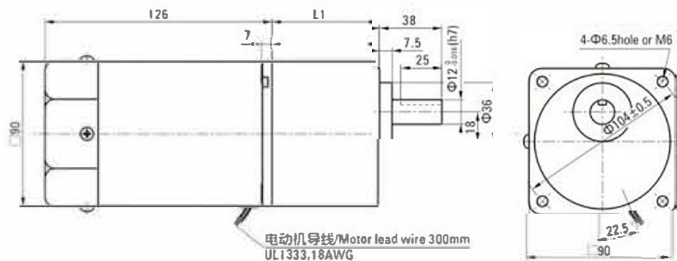
→P272页→P272

## ■ 外形图 (单位 mm) Dimensions(Unit mm)

减速机附有安装用螺丝 Mounting screws are included with gearhead.

### ● 导线型 Lead Wiring Type ①

重量 Weight：电动机 Motor：2.75kg 减速机 Gearhead：1.35kg



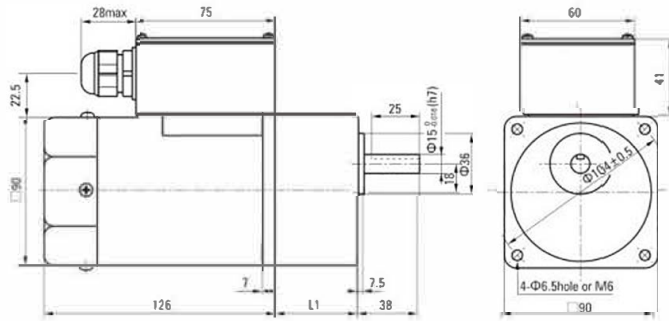
电动机型号 Motor Model	减速机型号 Gearhead Model	减速比 Gear Ratio	L1
5RK60GU-AF 5RK60GU-EF 5RK60GU-CF 5RK60GU-HF	5GU□KB	3~200	65.5

- 减速器型号的□中为减速比的数值  
Enter the gear ratio in the box (□) within the model name

### ● 带端子箱型 Terminal Box Type ②

重量 Weight : 电动机 Motor : 2.9kg

减速器 Gearhead : 1.5kg



● 适用电缆直径为 Use cable with a diameter of  $\Phi 6 \sim \Phi 12$ mm

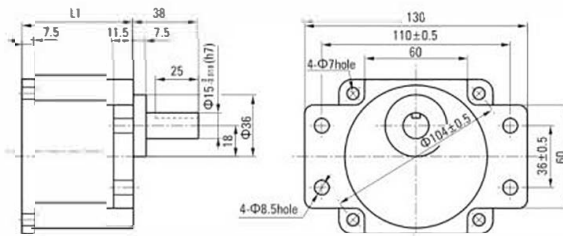
电动机型号 Motor Model	减速器型号 Gearhead Model	减速比 Gear Ratio	L1
5RK60GU-AFT 5RK60GU-EFT 5RK60GU-CFT 5RK60GU-HFT	5GU□KB	3~200	65.5

● 减速器型号的□中为减速比的数值  
Enter the gear ratio in the box (□) within the model name

### ● 凸缘安装型减速器 Flange Mounting Reducer

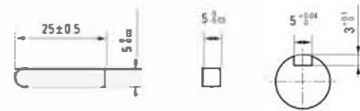
可安装在GU齿轮轴型上  
Can be mounted on GU type gear shaft

5GU□K  
重量 Weight: 1.5kg



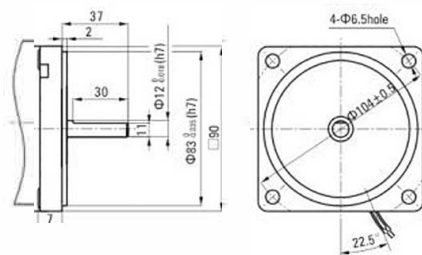
### ● 键·键槽 (减速器附件)

Key · Keyway (Accessory Of Gearhead)



### ● 圆轴型的转轴部分 Shaft Section Of Round Shaft Type

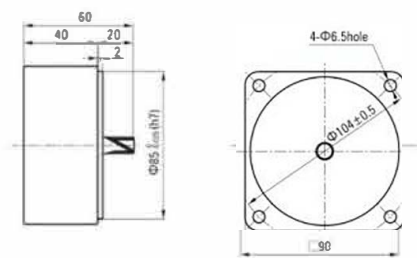
除重量及轴部外电动机外形与齿轮轴型相同。  
Excluding weight and the shaft section motor shape are the same as those of the pinion shaft type.



### ● 中间减速器 Decimal Gearhead

可安装在GU齿轮轴型上 Can be connected to GU pinion shaft type  
电动机外形与齿轮轴型相同

5GU10XK  
重量 Weight : 0.6kg



### ■ 电容器外形尺寸 Formal Dimension Of Capacitor

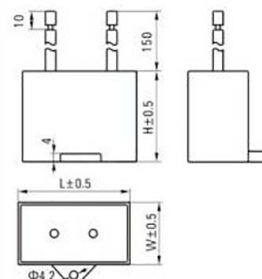
型号 Model	电容器型号 Capacitor Model	L	W	H
5RK60GU-AF	ZD250CFAUL	47	27	37
5RK60GU-EF	ZD150CFAUL	47	20	31
5RK60GU-CF	ZD45BFAUL	47	19	31

● 常规电容器出线为引线,也可根据客户要求配置插片式187#

Note: Conventional capacitor is a lead wire type. Inserted 187# is optional

● 电动机型号的□中为表示带端子箱型的记号(T)

Enter the code that represents the terminal box type (T) in the box (□) within the model name



# 弧锥直角 SPIRAL BEVEL RIGHT ANGLE

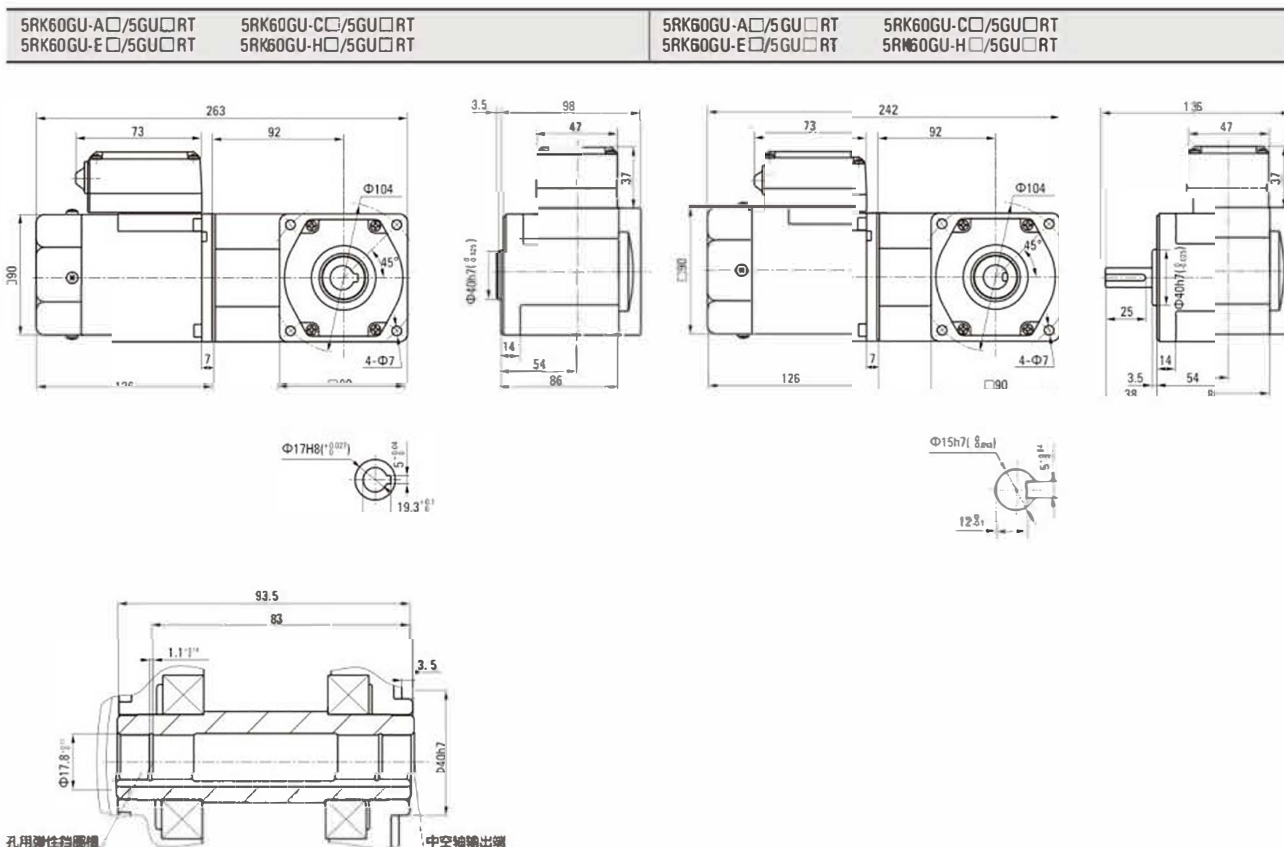
## ■ 装有减速器时的容许转矩 Gear Motor-Torque Table

- 减速器 中间减速器另售。 • 电动机型号的□中为表示带端子箱型的记号(T)。  
Gearhead and mid-gearbox can be sold separately. Enter the code that represents the terminal box type (T) in the box (□) within the model name.
- 减速器型号的□中为减速比的数值。 □ 色表示与电动机同一方向运转，其他则为相反方向。  
Enter the gear ratio in the box (□) within the model name.  
The colored background □ indicates the same rotating direction of the motor while the rotating direction of others are opposite.
- 转速是以电动机的同步转速 (50Hz:1500r/min、60Hz:1800r/min) 为基准除以减速比而算出来的数值。实际转速将随负载大小变化而比所示数值减少2%~20%左右。  
The speed is calculated by diving the motor's synchronous speed (50Hz:1500r/min、60Hz:1800r/min) by the gear ratio. The actual speed is 2%~20% less than the displayed value, depending on the size of the load.
- 希望以大于下表的减速比进行进一步减速时，可在电动机与减速器之间安装减速比为10的中间减速器。这时的容许转矩为20N·m。  
To reduce the speed beyond the gear ratio in the table, attach a mid-gearbox (gear ratio:10) between the gearhead and motor. In that case, the permissible torque is 20N·m.

## ■ 容许力矩单位 Allowance Torque Unit: 上段 Upside (N.m) / 下段 Belowside (kgf.cm)

机型Type	电动机/减速器 Motor/Gearhead	减速比Gear Ratio	3	3.6	5	6	7.5	9	12.5	15	18	25	30	3.6	50	60	75	90	100	120	150	180	
电动机/减速器 Motor/Gearhead		转速Speed r/min	50Hz	500	417	300	250	200	166	120	100	83	60	50	417	30	25	20	16	15	12	10	8
		60Hz	600	500	360	300	240	200	144	120	100	72	60	50	36	30	24	20	18	15	12	10	
5RK60GU-AF□ 5RK60GU-EF□ 5RK60GU-CF□ 5RK60GU-HF□ 5RK60GU-SF□	5GU□RC 5GU□RT	容许力矩 Allowance Torque	50Hz	0.85	1.02	1.42	1.70	2.37	2.84	3.95	4.73	5.68	7.89	9.47	10.2	14.2	17.0	20.0	20.0	20.0	20.0	20.0	20.0
			8.70	10.4	14.5	17.4	24.2	29.0	40.3	48.3	58.0	80.5	96.6	104	145	174	200	200	200	200	200	200	
			60Hz	0.69	0.82	1.15	1.37	1.91	2.29	3.18	3.82	4.58	6.36	7.64	8.25	11.5	13.7	17.2	20.0	20.0	20.0	20.0	20.0
			6.73	8.08	11.2	13.5	19.48	23.37	32.46	38.96	46.75	64.93	77.92	84.1	117	140	175	200	200	200	200	200	

## ■ 可逆尺寸图 Reversible Type Drawing



# 蜗轮蜗杆直角 WORM GEAR RIGHT ANGLE

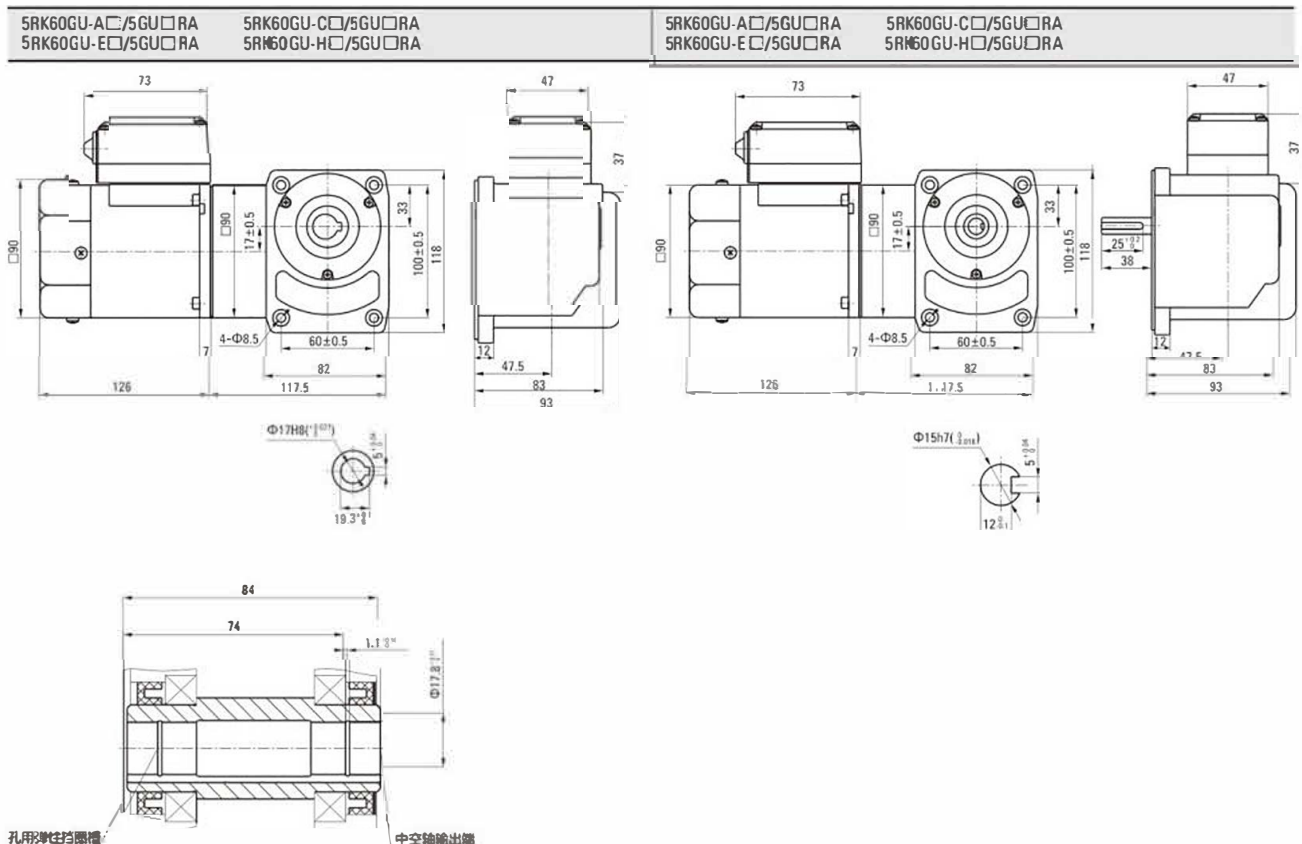
## ■ 装有减速器时的容许转矩 Gear Motor-Torque Table

- 减速器 中间减速器另售。 • 电动机型号的□中为表示带端子箱型的记号(T)。  
Gearhead and mid-gearbox can be sold separately. Enter the code that represents the terminal box type (T) in the box (□) within the model name.
- 减速器型号的□中为减速比的数值。 □ 色表示与电动机同一方向运转，其他则为相反方向。  
Enter the gear ratio in the box (□) within the model name.  
The colored background □ indicates the same rotating direction of the motor while the rotating direction of others are opposite.
- 转速是以电动机的同步转速 (50Hz:1500r/min、60Hz:1800r/min) 为基准除以减速比而算出来的数值。实际转速将随负载大小变化而比所示数值减少2%~20%左右。  
The speed is calculated by diving the motor's synchronous speed (50Hz:1500r/min、60Hz:1800r/min) by the gear ratio. The actual speed is 2%~20% less than the displayed value, depending on the size of the load.
- 希望以大于下表的减速比进行进一步减速时，可在电动机与减速器之间安装减速比为10的中间减速器。这时的容许转矩为20N·m。  
To reduce the speed beyond the gear ratio in the table, attach a mid-gearbox (gear ratio:10) between the gearhead and motor. In that case, the permissible torque is 20N·m.

## ■ 容许力矩单位 Allowance Torque Unit: 上段 Upside (N.m) / 下段 Belowside (kgf.cm)

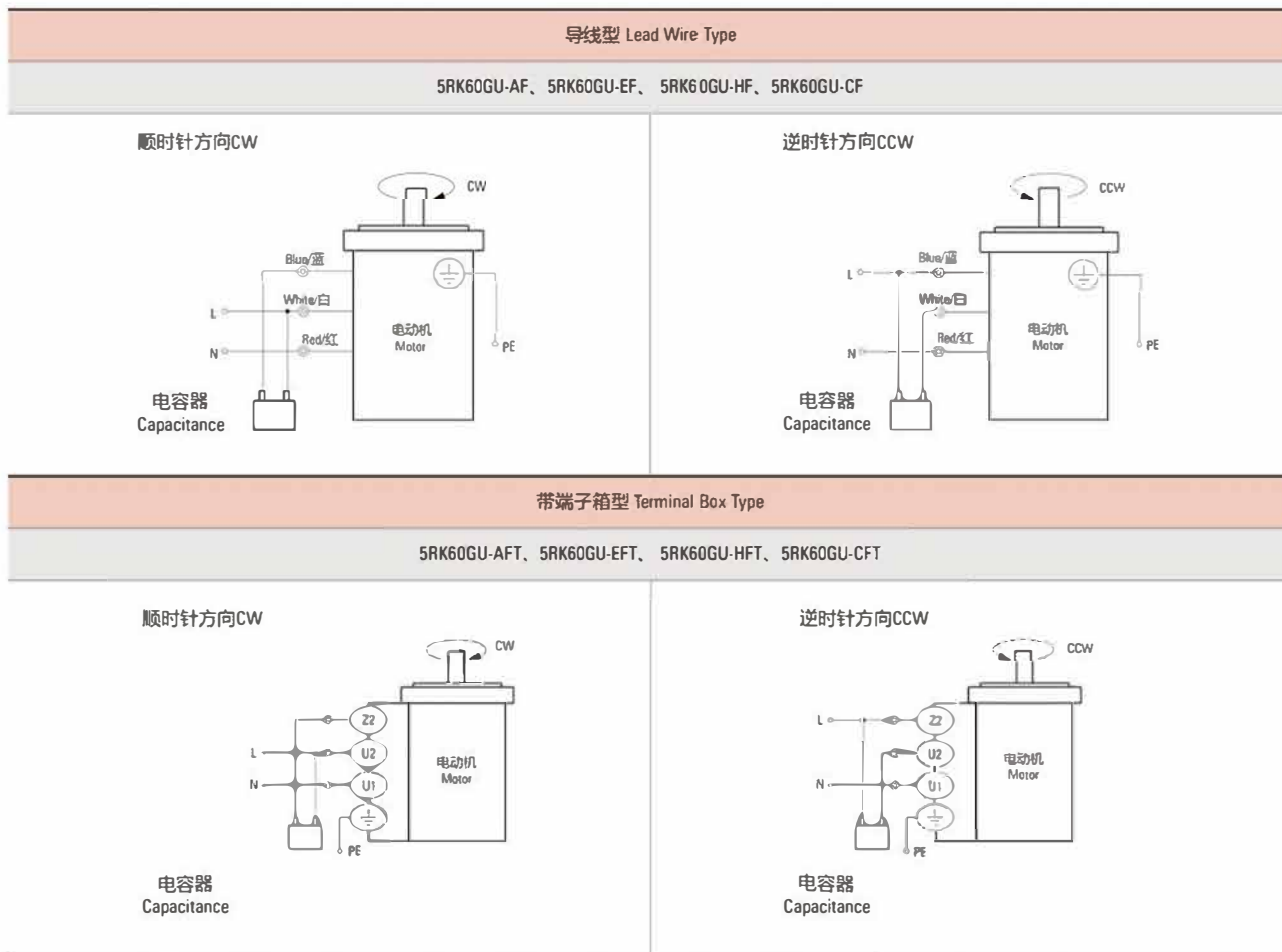
机型Type	减速比Gear Ratio	3	3.6	5	6	7.5	9	12.5	15	18	25	30	3.6	50	60	75	90	100	120	150	180		
电动机/减速器 Motor/Gearhead	转速Speed r/min	50Hz	500	417	300	250	200	166	120	100	83	60	50	417	30	25	20	16	15	12	10	8	
	60Hz	600	500	360	300	240	200	144	120	100	72	60	500	36	30	24	20	18	15	12	10		
5RK60GU-A□ 5RK60GU-E□ 5RK60GU-C□ 5RK60GU-H□ 5RK60GU-S□	容许力矩 Allowance Torque	50Hz	5GU□RH	0.62	0.74	0.93	1.11	1.39	1.67	2.32	2.78	3.34	4.64	5.57	6.68	9.28	11.1	13.9	16.7	18.6	20.0	20.0	
			5GU□RA	6.31	7.58	9.47	11.4	14.2	17.0	23.7	28.4	34.1	47.4	56.8	68.2	94.7	114	142	170	189	200	200	
		60Hz	5GU□RH	0.50	0.60	0.75	0.90	1.12	1.35	1.87	2.25	2.69	3.74	4.49	5.39	7.49	8.98	11.2	13.5	15.0	18.0	20.0	20.0
			5GU□RA	5.09	6.11	7.64	9.17	11.5	13.7	19.1	22.9	27.5	38.2	45.8	55.0	76.4	91.7	115	137	153	183	200	200

## ■ 可逆尺寸图 Reversible Type Drawing



## 连接图 Wiring Diagram

- 运转方向指从电动机轴看来的方向。CW表示顺时针方向，CCW表示逆时针方向。  
The direction of motor rotation is as viewed from the shaft end of motor. CW represents the clockwise direction, while CCW represents the counterclockwise direction.
- 表中所记品名为齿轮轴型，圆轴型亦同。  
Name indicated in the list is pinion shaft type, also valid for the equivalent round shaft type.



### 请注意 Note:

单相电动机运转方向的转换应在电动机停止后进行。

Change the direction of single-phase motor rotation only after bring the motor to a stop.

若在电动机运转时转换运转方向，可能发生无法转换运转方向或须费时较久的情况。

If an attempt is made to change the direction of rotation while the motor is rotating, motor may ignore reversing command or change its direction of rotation after some delay.

## 可逆电动机 REVERSIBLE MOTORS

■ 90W □ 90mm



### 规格 Specs 30分钟额定 30 Minutes Rating

型号 Model · 类型 Type		输出功率 Output power W	电压 Voltage V	频率 Frequency Hz	电流 Current A	启动转矩 Starting Torque mN.m	额定转矩 Rated Torque mN.m	额定转速 Rated Speed r/min	电容器容量 Capacitor μF
上段:齿轮轴 Upper:Pinion Shaft 下段()内:圆轴 Below:Round Shaft	带端子箱型 Terminal Box Type								
导线型 Lead Wire Type 外形图Dimensions①	带端子箱型 Terminal Box Type 外形图Dimensions②								
5RK90GU-AF (5RK90A-AF)	5RK90GU-AFT (5RK90A-AFT)	90	1ph 100	50	1.78	600	700	1250	30.0
				60	2.35		570	1550	
5RK90GU-EF (5RK90A-EF)	5RK90GU-EFT (5RK90A-EFT)	90	1ph 110	60	1.72	550	570	1550	25.0
			1ph 120			600			
5RK90GU-CF (5RK90A-CF)	5RK90GU-CFT (5RK90A-CFT)	90	1ph 220	50	0.82	560	700	1250	6.0
			1ph 230		0.81				
5RK90GU-HF (5RK90A-HF)	5RK90GU-HFT (5RK90A-HFT)	90	1ph 220	60	0.81	560	560	1550	6.0
			1ph 230		0.80				

●各种安全规格以电动机铭牌上的型号名取得认证。

When the motor is approved under various safety standards, the model name on the nameplate is the approved model name.

●注：“-A”型号中电压为110V时，配置电容器容量以实际铭牌为准。

Note:“-A” it means the voltage 110v, the assembly capacitor vaule it is according the labe.

### 种类 Type

● 电动机 Motor

机型 Type	型号 Model	
	齿轮轴型 Pinion Shaft	圆轴型 Round Shaft
导线型 Lead Wire Type	5RK90GU-AF	5RK90A-AF
	5RK90GU-EF	5RK90A-EF
	5RK90GU-CF	5RK90A-CF
	5RK90GU-HF	5RK90A-HF
带端子箱型 Terminal Box Type	5RK90GU-AFT	5RK90A-AFT
	5RK90GU-EFT	5RK90A-EFT
	5RK90GU-CFT	5RK90A-CFT
	5RK90GU-HFT	5RK90A-HFT

● 平行轴减速器（另售） Parallel Shaft Gearhead (Sold Separately)

减速器种类 Gearhead Type	减速器型号 Gearhead Model	减速比 Gear Ratio
长寿命●低噪音 Long Life ● Low Noise	5GU□KB	3、3.6、5、6、7.5、9、 12.5、15、18、25、30、 36、50、60、75、90、 100、120、150、180、200
	5GU10XK (中间减速器 Decimal Gearhead)	

●减速器型号的□中为减速比的数值

Enter the gear ratio in the box (□) within the model name

### ■ 装有减速器时的容许转矩 Gear Motor-Torque Table

- 减速器另售·中间减速器另售。电动机型号的□中为表示带端子箱型的记号(T)。  
Gearhead and mid-gearbox can be sold separately. Enter the code that represents the terminal box type (T) in the box (□) within the model name.
- 减速品型号的□中为减速比的数值。  
Enter the gear ratio in the box(□) within the model name.
- □色表示与电动机同一方向运转，其他则为相反方向。  
The colored background □ indicates the same rotating direction of the motor while the rotating direction of others are opposite.
- 转速是以电动机的同步转速 (50Hz : 1500r/min、60Hz : 1800r/min) 为基准除以减速比而算出来的数值。实际转速将随负载大小变化所示数值减少2%~20%左右。  
The speed is calculated by dividing the motor's synchronous speed(50Hz : 1500r/min、60Hz : 1800r/min) by the gear ratio. The actual speed is 2%~20% less than the displayed value, depending on the size of the load.
- 希望以大于下表的减速比进行进一步减速时，可在电动机与减速机之间安装减速比为10的中间减速机。这时的容许转矩为20N·m。  
To reduce the speed beyond the gear ratio in the table, attach a decimal gearhead(gear ratio:10)between the gearhead and motor. In that case, the permissible torque is 20N·m.

### ■ 容许力矩单位 Allowance Torque Unit : 上段 Upside ( N.m ) /下段 Belowside ( kgf.cm )

类型 Type 电动机/减速机 Motor/Gearhead	减速比 Gear Ratio		3	3.6	5	6	7.5	9	12.5	15	18	25	30	36	50	60	75	90	100	120	150	180	200
	转速 Speed r/min	50Hz	500	417	300	250	200	166	120	100	83	60	50	41	30	25	20	16	15	12.5	10	8.3	7.5
5RK90GU-AF□ 5RK90GU-EF□ 5RK90GU-CF□ 5RK90GU-HF□	5GU□KB 5GU□K	50Hz	1.1	2.0	2.8	3.4	4.3	5.1	6.4	7.7	9.2	11.6	13.6	16.6	20	20	20	20	20	20	20	20	20
		60Hz	17.3	20.4	28.6	34.7	43.9	52.0	65.3	78.6	93.3	118	139	169	200	200	200	200	200	200	200	200	200
		60Hz	1.4	1.7	2.5	2.8	3.5	4.2	5.2	6.2	7.5	9.4	11.3	13.5	18.8	20	20	20	20	20	20	20	20
			14.3	17.3	25.5	28.6	35.7	42.9	53.1	63.3	76.5	95.9	115	138	19.2	200	200	200	200	200	200	200	200

### ■ 容许悬挂负载·容许轴向负载 To Allow The Hoisting Of The Load Allow Axial Load

电动机 (圆轴型) → 272页      Motor(Round Shaft) → P272  
 减速机 → 272页      Gearhead → P272

### ■ 减速机的容许负载惯性惯量 J Permissible Load Inertia J For Gearhead

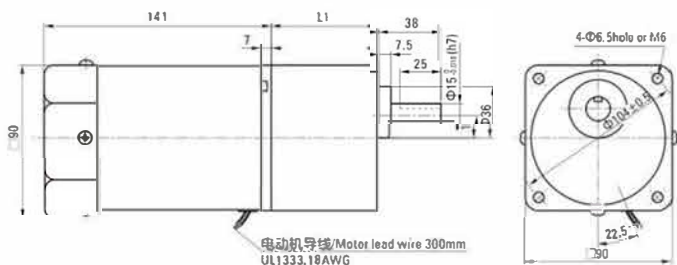
→ 272页 → P272

### ■ 外形图 (单位 mm) Dimensions(Unit mm)

减速机附有安装用螺丝 Mounting screws are included with gearhead.

#### ● 导线型 Lead Wiring Type ①

重量 Weight : 电动机 Motor : 3.25kg      减速机 Gearhead : 1.5kg



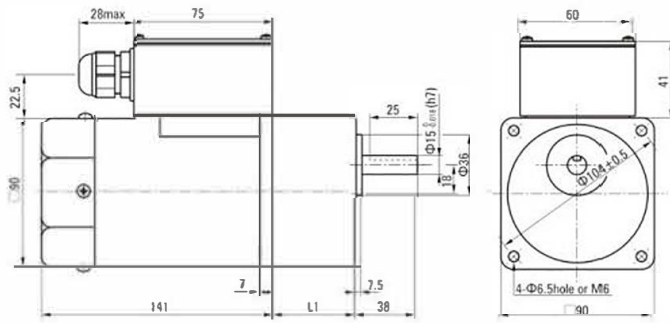
电动机型号 Motor Model	减速机型号 Gearhead Model	减速比 Gear Ratio	L1
5RK90GU-AF 5RK90GU-EF 5RK90GU-CF 5RK90GU-HF	5GU□KB	3~200	65.5

- 减速机型号的□中为减速比的数值  
Enter the gear ratio in the box (□) within the model name

● 带端子箱型 Terminal Box Type 2

重量 Weight : 电动机 Motor : 3.40kg

减速器 Gearhead : 1.5kg



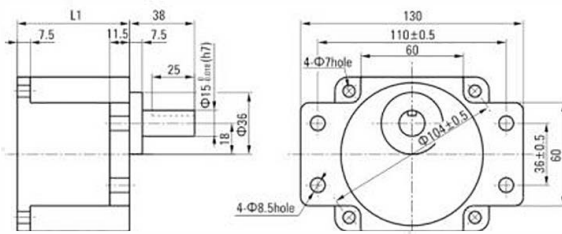
● 适用电缆直径为 Use cable with a diameter of  $\Phi 6 \sim \Phi 12$ mm

电动机型号 Motor Model	减速器型号 Gearhead Model	减速比 Gear Ratio	L1
5RK90GU-AFT 5RK90GU-EFT 5RK90GU-CFT 5RK90GU-HFT	5GU□KB	3~200	65.5

● 减速器型号的□中为减速比的数值  
Enter the gear ratio in the box (□) within the model name

● 凸缘安装型减速器 Flange Mounting Reducer

可安装在GU齿轮轴型上  
Can be mounted on GU type gear shaft  
5GU□K  
重量 Weight: 1.5kg



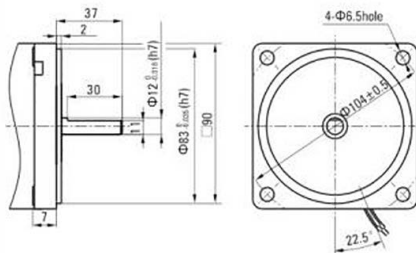
● 键·键槽 (减速器附件)

Key · Keyway (Accessory Of Gearhead)



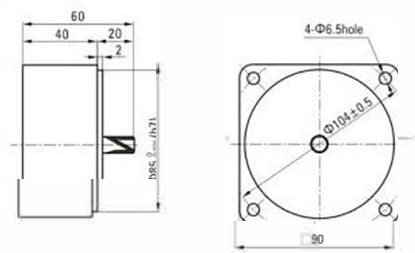
● 圆轴型的转轴部分 Shaft Section Of Round Shaft Type

除重量及轴部外电动机外形与齿轮轴型相同。  
Excluding weight and the shaft section motor shape are the same as those of the pinion shaft type.



● 中间减速器 Decimal Gearhead

可安装在GN齿轮轴型上 Can be connected to GN pinion shaft type  
电动机外形与齿轮轴型相同  
5GN10XK  
重量 Weight : 0.6kg



■ 电容器外形尺寸 Formal Dimension Of Capacitor

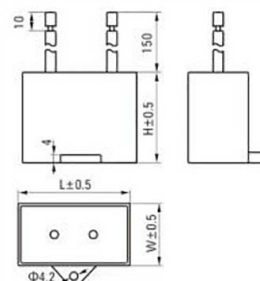
型号 Model		电容器型号 Capacitor Model	L	W	H
齿轮轴型 Pinion Shaft	圆轴型 Round Shaft				
5RK90GU-AF	5RK90A-AF	ZD300CFAUL	58	26	38
5RK90GU-EF	5RK90A-EF	ZD250CFAUL	47	27	37
5RK90GU-CF	5RK90A-CF	ZD60BFAUL	48	23	32

● 常规电容器出线为引线,也可根据客户要求配置插片式187#

Note: Conventional capacitor is a lead wire type. Inserted 187# is optional

● 电动机型号的□中为表示带端子箱型的记号(T)

Enter the code that represents the terminal box type (T) in the box (□) within the model name





# 弧锥直角 SPIRAL BEVEL RIGHT ANGLE

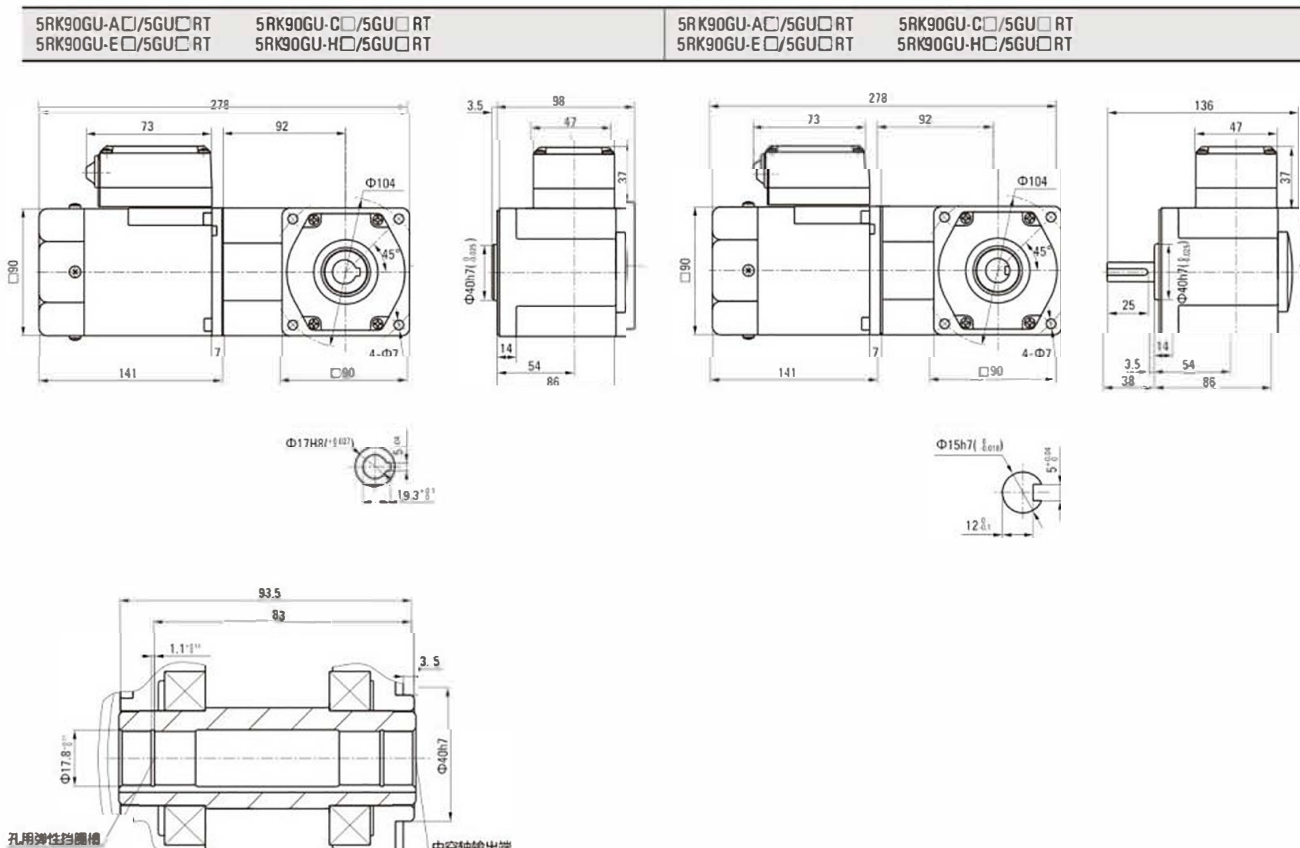
## ■ 装有减速器时的容许转矩 Gear Motor-Torque Table

- 减速器 中间减速器另售。 • 电动机型号的□中为表示带端子箱型的记号(T)。  
Gearhead and mid-gearbox can be sold separately. Enter the code that represents the terminal box type (T) in the box (□) within the model name.
- 减速器型号的□中为减速比的数值。 □ 色表示与电动机同一方向运转，其他则为相反方向。  
Enter the gear ratio in the box (□) within the model name.  
The colored background □ indicates the same rotating direction of the motor while the rotating direction of others are opposite.
- 转速是以电动机的同步转速 (50Hz:1500r/min、60Hz:1800r/min) 为基准除以减速比而算出来的数值。实际转速将随负载大小变化而比所示数值减少2%~20%左右。  
The speed is calculated by diving the motor's synchronous speed (50Hz:1500r/min、60Hz:1800r/min) by the gear ratio. The actual speed is 2%~20% less than the displayed value, depending on the size of the load.
- 希望以大于下表的减速比进行进一步减速时，可在电动机与减速器之间安装减速比为10的中间减速器。这时的容许转矩为20N·m。  
To reduce the speed beyond the gear ratio in the table, attach a mid-gearbox (gear ratio:10) between the gearhead and motor. In that case, the permissible torque is 20N·m.

## ■ 容许力矩单位 Allowance Torque Unit: 上段 Upside (N.m) / 下段 Belowside (kgf.cm)

机型Type 电动机/减速器 Motor/Gearhead	减速比Gear Ratio	容许力矩 Allowance Torque																				
		3	3.6	5	6	7.5	9	12.5	15	18	25	30	3.6	50	60	75	90	100	120	150	180	
5RK90GU-AF□ 5RK90GU-EF□ 5GU□RC 5RK90GU-CF□ 5GU□RT 5RK90GU-HF□	转速Speed r/min	50Hz	500	417	300	250	200	166	120	100	83	60	50	417	30	25	20	16	15	12	10	8
		60Hz	600	500	360	300	240	200	144	120	100	72	60	500	36	30	24	20	18	15	12	10
	容许力矩 Allowance Torque	50Hz	1.28	1.53	2.13	2.56	3.55	4.26	5.92	7.10	8.52	11.8	14.2	15.3	20.0	20.0	20.0	20.0	20.0	20.0	20.0	20.0
		60Hz	1.03	1.24	1.72	2.06	2.86	3.44	4.77	5.73	6.87	9.54	11.5	12.4	17.2	20.0	20.0	20.0	20.0	20.0	20.0	20.0
			10.5	12.6	17.5	21.0	29.2	35.1	48.7	58.4	70.1	97.4	117	126	175	200	200	200	200	200	200	200

## ■ 可逆尺寸图 Reversible Type Drawing



# 蜗轮蜗杆直角 WORM GEAR RIGHT ANGLE

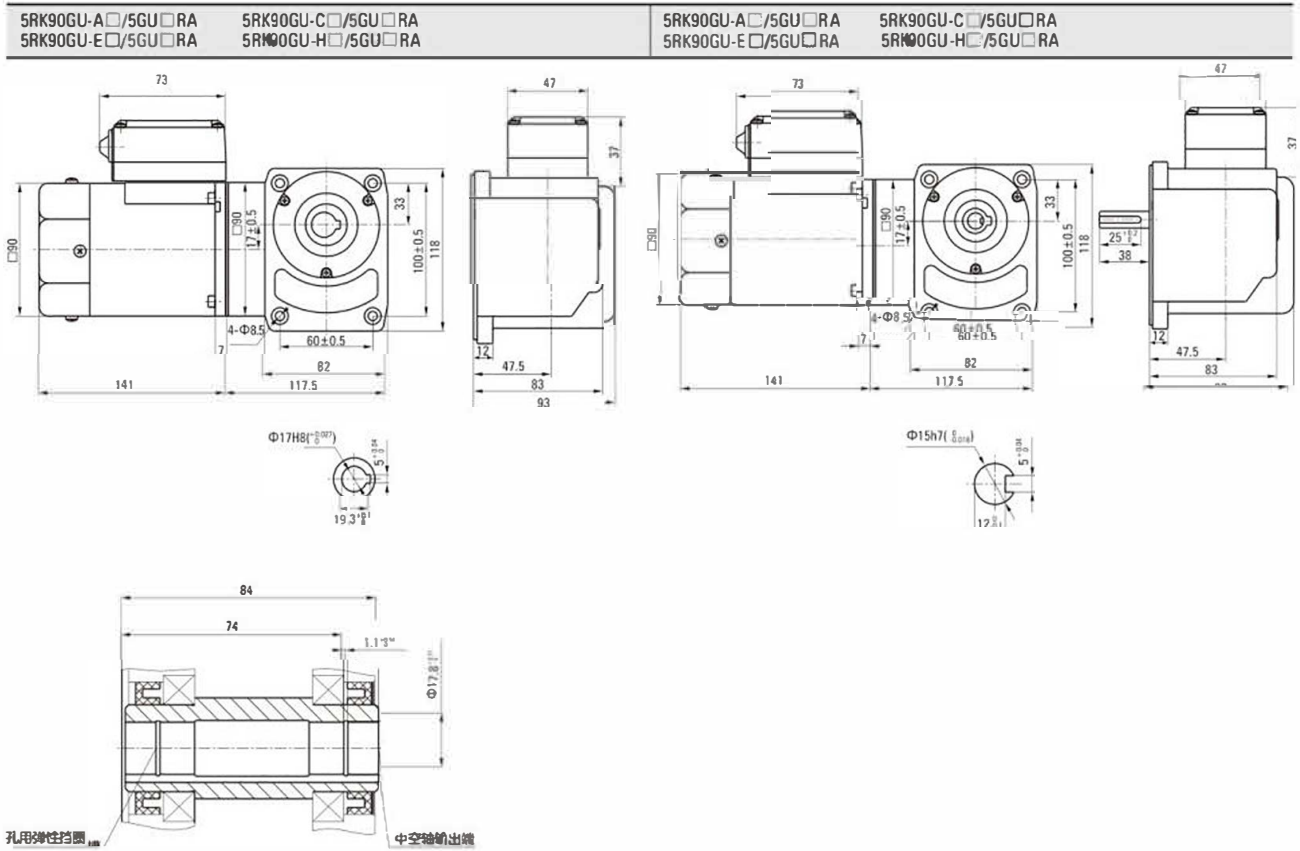
## ■ 装有减速器时的容许转矩 Gear Motor-Torque Table

- 减速器-中间减速器另售。 • 电动机型号的□中为表示带端子箱型的记号(T)。  
Gearhead and midgearbox can be sold separately. Enter the code that represents the terminal box type (T) in the box (□) within the model name.
- 减速器型号的□中为减速比的数值。 □ 色表示与电动机同一方向运转，其他则为相反方向。  
Enter the gear ratio in the box (□) within the model name.  
The colored background □ indicates the same rotating direction of the motor while the rotating direction of others are opposite.
- 转速是以电动机的同步转速 (50Hz:1500r/min、60Hz:1800r/min) 为基准除以减速比而算出来的数值。实际转速将随负载大小变化而比所示数值减少2%~20%左右。  
The speed is calculated by dividing the motor's synchronous speed (50Hz:1500r/min、60Hz:1800r/min) by the gear ratio. The actual speed is 2%~20% less than the displayed value, depending on the size of the load.
- 希望以大于下表的减速比进行进一步减速时，可在电动机与减速器之间安装减速比为10的中间减速器。这时的容许转矩为20N·m。  
To reduce the speed beyond the gear ratio in the table, attach a mid-gearbox (gear ratio:10) between the gearhead and motor. In that case, the permissible torque is 20N·m.

## ■ 容许力矩单位 Allowance Torque Unit: 上段 Upside (N.m) / 下段 Belowside (kgf.cm)

机型Type	减速比Gear Ratio	3	3.6	5	6	7.5	9	12.5	15	18	25	30	3.6	50	60	75	90	100	120	150	180	
电动机/减速器 Motor/Gearhead	转速Speed r/min	50Hz	500	417	300	250	200	166	120	100	83	60	50	417	30	25	20	16	15	12	10	8
	60Hz	600	500	360	300	240	200	144	120	100	72	60	500	36	30	24	20	18	15	12	10	
5RK90GU-A□ 5RK90GU-EF□ 5RK90GU-C□ 5RK90GU-H□	容许力矩 Allowance Torque	50Hz	5G□RH	0.93	1.11	1.39	1.67	2.09	2.51	3.48	4.18	5.01	6.96	8.35	10.0	13.9	16.7	20.0	20.0	20.0	20.0	20.0
			5G□RA	9.47	11.4	14.2	17.0	21.3	25.6	35.5	42.6	51.1	71.0	85.2	102	142	170	204	200	200	200	200
		60Hz	5G□RH	0.75	0.90	1.12	1.35	1.68	2.02	2.81	3.37	4.04	5.61	6.74	8.08	11.2	13.5	16.8	20.0	20.0	20.0	20.0
			5G□RA	7.64	9.17	11.5	13.7	17.2	20.6	28.6	34.4	41.2	57.3	68.7	82.5	115	137	172	200	200	200	200

## ■ 可逆尺寸图 Reversible Type Drawing



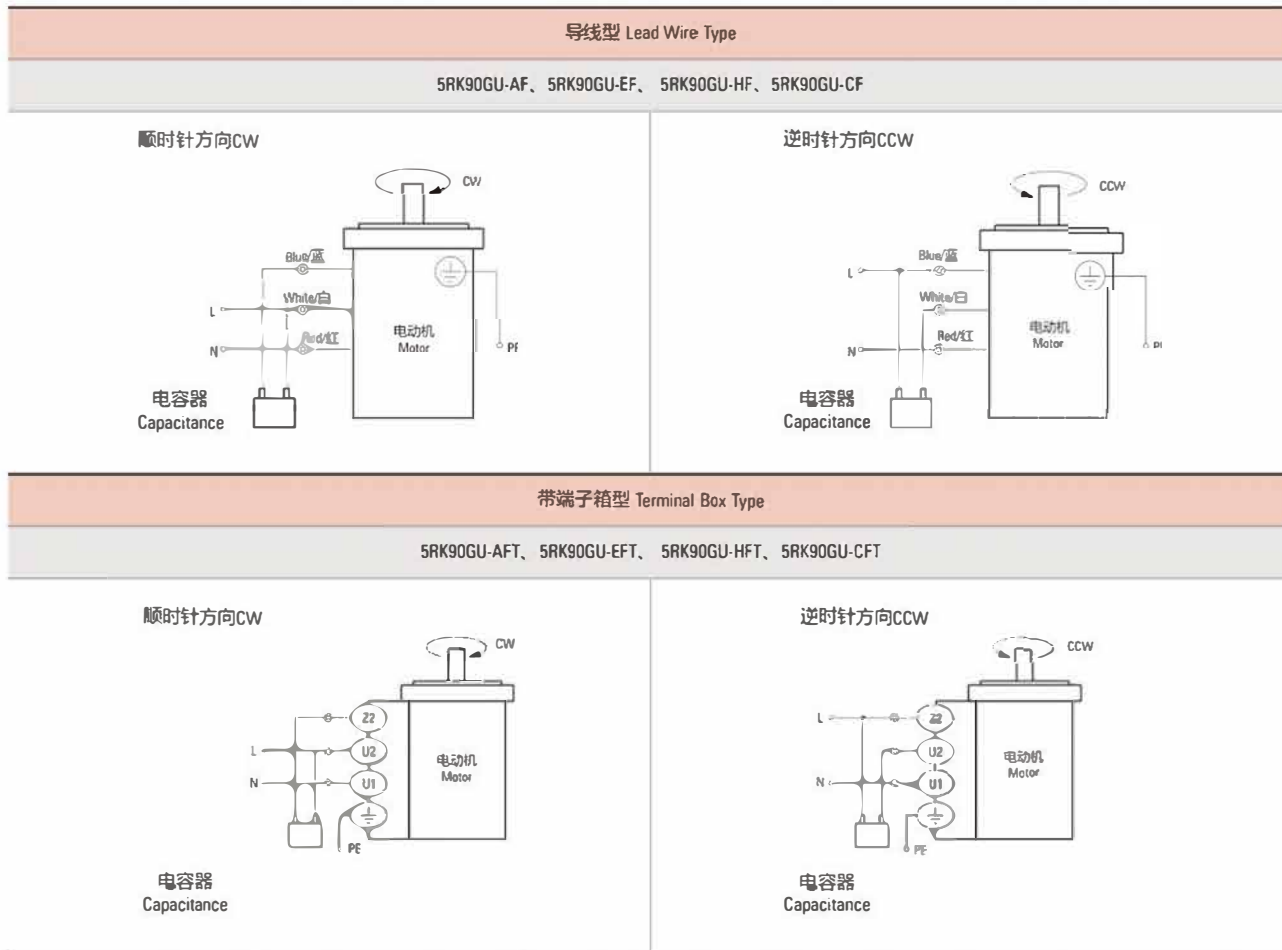
## 连接图 Wiring Diagram

● 运转方向指从电动机轴看来的方向。CW表示顺时针方向，CCW表示逆时针方向。

The direction of motor rotation is as viewed from the shaft end of motor. CW represents the clockwise direction, while CCW represents the counterclockwise direction.

● 表中所记品名为齿轮轴型，圆轴型亦同。

Name indicated in the list is pinion shaft type, also valid for the equivalent round shaft type.



### 请注意 Note:

单相电动机运转方向的转换应在电动机停止后进行。

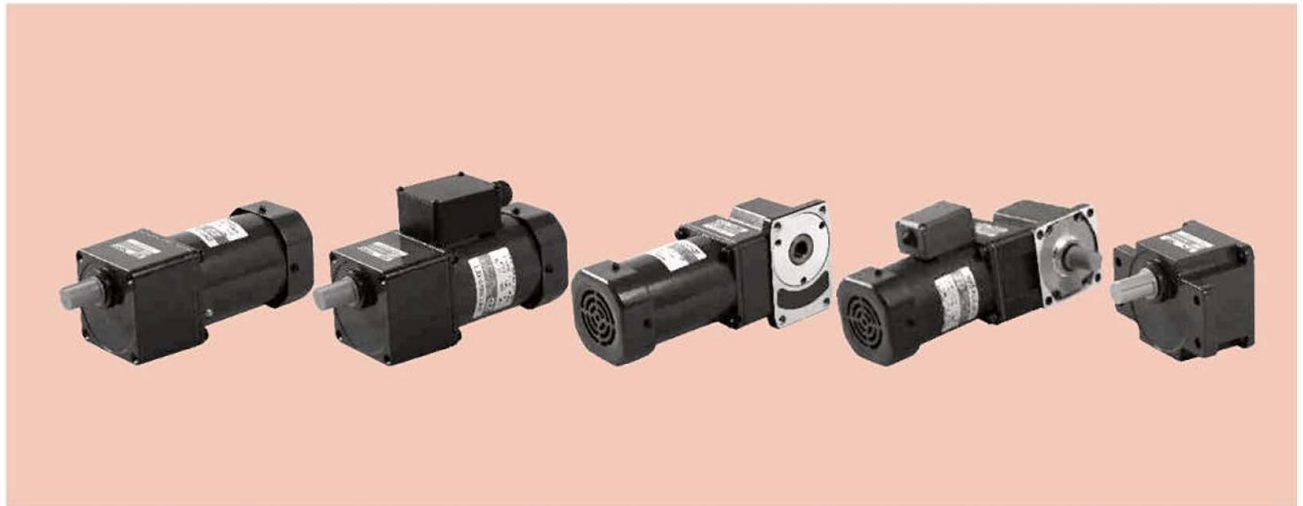
Change the direction of single-phase motor rotation only after bring the motor to a stop.

若在电动机运转时转换运转方向，可能发生无法转换运转方向或须费时较久的情况。

If an attempt is made to change the direction of rotation while the motor is rotating, motor may ignore reversing command or change its direction of rotation after some delay.

# 可逆电动机 REVERSIBLE MOTORS

■ 120W □ 90mm



## 规格 Specs 30分钟额定 30 Minutes Rating

型号 Model · 类型 Type		输出功率 Output power W	电压 Voltage V	频率 Frequency Hz	电流 Current A	启动转矩 Starting Torque mN.m	额定转矩 Rated Torque mN.m	额定转速 Rated Speed r/min	电容器容量 Capacitor μF
上段: 齿轮轴 Upper: Pinion Shaft 下段(): 圆轴 Below: Round Shaft	带端子箱型 Terminal Box Type								
导线型 Lead Wire Type 外形图 Dimensions ①	带端子箱型 Terminal Box Type 外形图 Dimensions ②								
5RK120GU-AF (5RK120A-AF)	5RK120GU-AFT (5RK120A-AFT)	120	1ph 100	50	2.25	700	930	1250	35.0
				60	2.85		750	1550	
5RK120GU-EF (5RK120A-EF)	5RK120GU-EFT (5RK120A-EFT)	120	1ph 110	60	1.90	650	750	1550	30.0
			1ph 120			720			
5RK120GU-CF (5RK120A-CF)	5RK120GU-CFT (5RK120A-CFT)	120	1ph 220	50	1.15	720	930	1250	8.0
			1ph 230						
5RK120GU-HF (5RK120A-HF)	5RK120GU-HFT (5RK120A-HFT)	120	1ph 220	60	1.20	720	750	1550	8.0
			1ph 230						

●各种安全规格以电动机铭牌上的型号名取得认证。

When the motor is approved under various safety standards, the model name on the nameplate is the approved model name.

●注：“-A”型号中电压为110V时，配置电容器容量以实际铭牌为准。

Note:“-A” it means the voltage 110v, the assembly capacitor vaule it is according the labe.

## 种类 Type

●电动机 Motor

机型 Type	型号 Model	
	齿轮轴型 Pinion Shaft	圆轴型 Round Shaft
导线型 Lead Wire Type	5RK120GU-AF	5RK120A-AF
	5RK120GU-EF	5RK120A-EF
	5RK120GU-CF	5RK120A-CF
	5RK120GU-HF	5RK120A-HF
带端子箱型 Terminal Box Type	5RK120GU-AFT	5RK120A-AFT
	5RK120GU-EFT	5RK120A-EFT
	5RK120GU-CFT	5RK120A-CFT
	5RK120GU-HFT	5RK120A-HFT

●平行轴减速器（另售） Parallel Shaft Gearhead (Sold Separately)

减速器种类 Gearhead Type	减速器型号 Gearhead Model	减速比 Gear Ratio
长寿命●低噪音 Long Life ● Low Noise	5GU□KB	3、3.6、5、6、7.5、9、 12.5、15、18、25、30、 36、50、60、75、90、 100、120、150、180、200
	5GU10XK (中间减速器 Decimal Gearhead)	

●减速器型号的□中为减速比的数值

Enter the gear ratio in the box (□) within the model name

### ■ 装有减速器时的容许转矩 Gear Motor-Torque Table

- 减速器另售·中间减速器另售。电动机型号的□中为表示带端子箱型的记号(T)。  
Gearhead and mid-gearbox can be sold separately. Enter the code that represents the terminal box type (T) in the box (□) within the model name.
- 减速品型号的□中为减速比的数值。  
Enter the gear ratio in the box(□) within the model name.
- 色表示与电动机同一方向运转，其他则为相反方向。  
The colored background □ indicates the same rotating direction of the motor while the rotating direction of others are opposite.
- 转速是以电动机的同步转速 (50Hz : 1500r/min、60Hz : 1800r/min) 为基准除以减速比而算出来的数值。实际转速将随负载大小变化所示数值减少2%~20%左右。  
The speed is calculated by dividing the motor's synchronous speed(50Hz : 1500r/min、60Hz : 1800r/min) by the gear ratio. The actual speed is 2%~20% less than the displayed value, depending on the size of the load.
- 希望以大于下表的减速比进行进一步减速时，可在电动机与减速机之间安装减速比为10的中间减速机。这时的容许转矩为20N·m。  
To reduce the speed beyond the gear ratio in the table, attach a decimal gearhead(gear ratio:10)between the gearhead and motor. In that case, the permissible torque is 20N·m.

### ■ 容许力矩单位 Allowance Torque Unit : 上段 Upside ( N.m ) /下段 Belowside ( kgf.cm )

类型 Type 电动机/减速机 Motor/Gearhead	减速比 Gear Ratio		3	3.6	5	6	7.5	9	12.5	15	18	25	30	36	50	60	75	90	100	120	150	180	200
	转速 Speed r/min	50Hz	500	417	300	250	200	166	120	100	83	60	50	41	30	25	20	16	15	12.5	10	8.3	7.5
5RK120GU-AF□ 5RK120GU-EF□ 5RK120GU-CF□ 5RK120GU-HF□	5GU□KB 5GU□K	50Hz	2.3	2.7	3.8	4.5	5.6	6.8	8.5	10.2	12.2	15.3	18.4	20	20	20	20	20	20	20	20	20	20
		60Hz	23.4	27.5	38.7	45.9	57.1	69.3	86.7	104	124	156	187	200	200	200	200	200	200	200	200	200	200
	5GU□KB 5GU□K	50Hz	1.8	2.2	3.0	3.6	4.6	5.5	6.8	8.2	9.8	12.4	14.9	17.8	20	20	20	20	20	20	20	20	20
		60Hz	18.3	22.4	30.6	36.7	46.9	56.1	69.5	83.6	100	126	152	181	200	200	200	200	200	200	200	200	200

### ■ 容许悬挂负载·容许轴向负载 To Allow The Hoisting Of The Load Allow Axial Load

电动机 (圆轴型) → 272页      Motor(Round Shaft) → P272  
减速机 → 272页      Gearhead → P272

### ■ 减速机的容许负载惯性惯量 J Permissible Load Inertia J For Gearhead

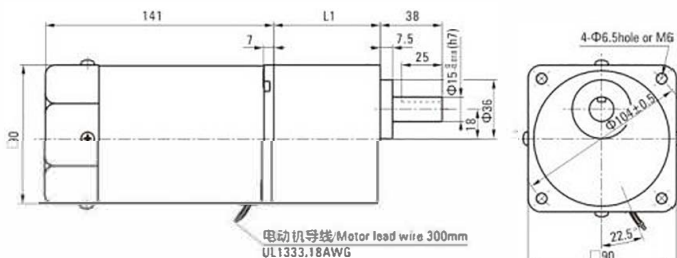
→ 272页 → P272

### ■ 外形图 (单位 mm) Dimensions(Unit mm)

减速器附有安装用螺丝 Mounting screws are included with gearhead.

#### ● 导线型 Lead Wiring Type ①

重量 Weight : 电动机 Motor : 3.25kg      减速器 Gearhead : 1.5kg



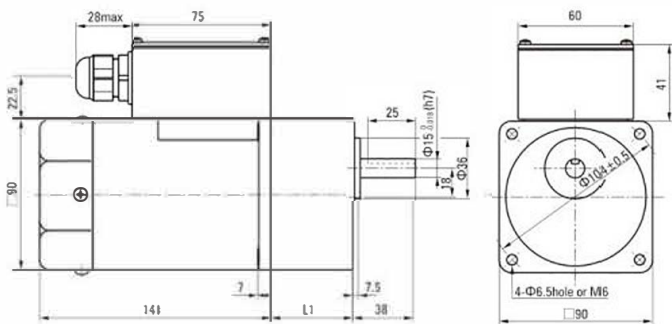
电动机型号 Motor Model	减速器型号 Gearhead Model	减速比 Gear Ratio	L1
5RK120GU-AF 5RK120GU-EF 5RK120GU-CF 5RK120GU-HF	5GU□KB	3~200	65.5

- 减速器型号的□中为减速比的数值  
Enter the gear ratio in the box (□) within the model name

● 带端子箱型 Terminal Box Type 2

重量 Weight : 电动机 Motor : 3.6kg

减速器 Gearhead : 1.5kg



● 适用电缆直径为 Use cable with a diameter of  $\Phi 6 \sim \Phi 12$ mm

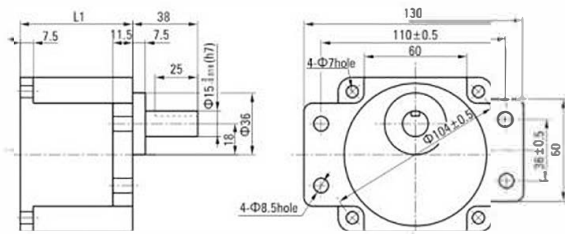
● 凸缘安装型减速器 Flange Mounting Reducer

可安装在GU齿轮轴型上

Can be mounted on GU type gear shaft

5GU□K

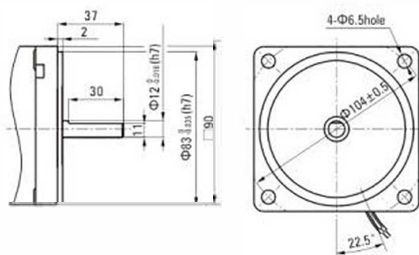
重量 Weight: 1.5kg



● 圆轴型的转轴部分 Shaft Section Of Round Shaft Type

除重量及轴部外电动机外形与齿轮轴型相同。

Excluding weight and the shaft section motor shape are the same as those of the pinion shaft type.



■ 电容器外形尺寸 Formal Dimension Of Capacitor

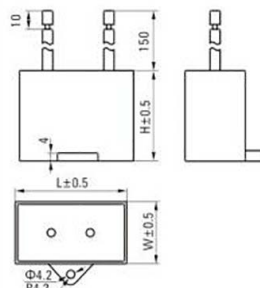
型号 Model		由突装型号 Capacitor Model	L	W	H
齿轮轴型 Pinion Shaft	圆轴型 Round Shaft				
5RK120GU-AF	5RK120A-AF	ZD350CFAUL	58	30	40
5RK120GU-EF	5RK120A-EF	ZD300CFAUL	58	26	38
5RK120GU-CF	5RK120A-CF	ZD80BFAUL	48	26.5	38

● 常规电容器出线为引线,也可根据客户要求配置插片式187#

Note: Conventional capacitor is a lead wire type. Inserted 187# is optional

● 电动机型号中的□中为表示带端子箱型的记号(T)

Enter the code that represents the terminal box type (T) in the box (□) within the model name



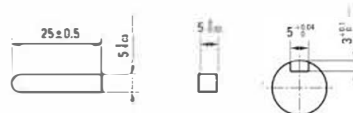
电动机型号 Motor Model	减速器型号 Gearhead Model	减速比 Gear Ratio	L1
5RK120GU-AFT 5RK120GU-EFT 5RK120GU-CFT 5RK120GU-HFT	5GU□KB	3~200	65.5

● 减速器型号的□中为减速比的数值

Enter the gear ratio in the box (□) within the model name

● 键·键槽 (减速器附件)

Key · Keyway (Accessory Of Gearhead)



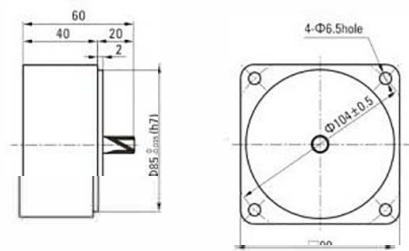
● 中间减速器 Decimal Gearhead

可安装在GN齿轮轴型上 Can be connected to GN pinion shaft type

电动机外形与齿轮轴型相同

5GN10XK

重量 Weight : 0.65kg



# 弧锥直角 SPIRAL BEVEL RIGHT ANGLE

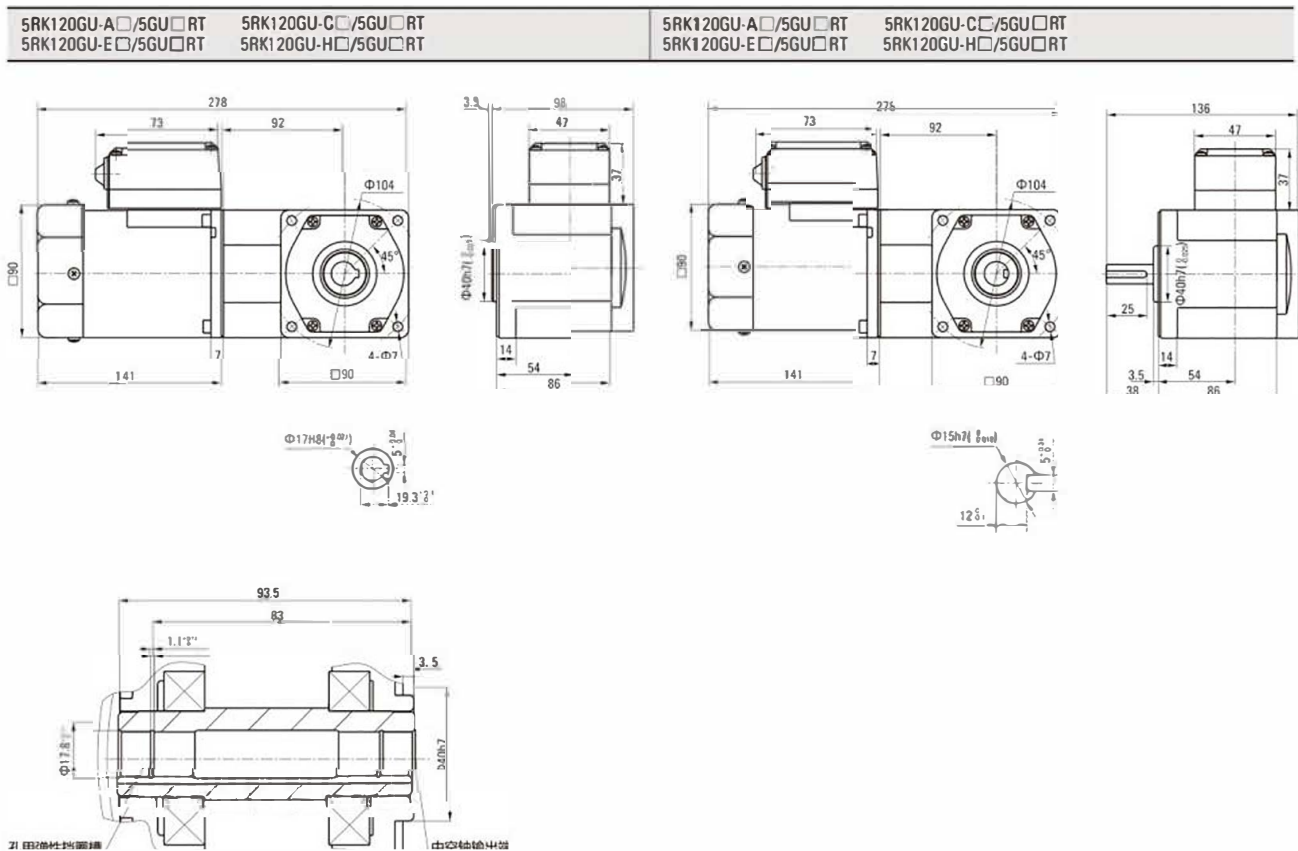
## ■ 装有减速器时的容许转矩 Gear Motor-Torque Table

- 减速器 中间减速器另售。 • 电动机型号的□中为表示带端子箱型的记号(T)。  
Gearhead and mid-gearbox can be sold separately. Enter the code that represents the terminal box type (T) in the box (□) within the model name.
- 减速器型号的□中为减速比的数值。 □ 色表示与电动机同一方向运转，其他则为相反方向。  
Enter the gear ratio in the box (□) within the model name.  
The colored background □ indicates the same rotating direction of the motor while the rotating direction of others are opposite.
- 转速是以电动机的同步转速 (50Hz:1500r/min、60Hz:1800r/min) 为基准除以减速比而算出来的数值。实际转速将随负载大小变化而比所示数值减少2%~20%左右。  
The speed is calculated by dividing the motor's synchronous speed (50Hz:1500r/min、60Hz:1800r/min) by the gear ratio. The actual speed is 2%~20% less than the displayed value, depending on the size of the load.
- 希望以大于下表的减速比进行进一步减速时，可在电动机与减速器之间安装减速比为10的中间减速器。这时的容许转矩为20N·m。  
To reduce the speed beyond the gear ratio in the table, attach a mid-gearbox (gear ratio:10) between the gearhead and motor. In that case, the permissible torque is 20N·m.

## ■ 容许力矩单位 Allowance Torque Unit: 上段 Upside (N.m) / 下段 Belowside (kgf.cm)

机型Type 电动机/减速器 Motor/Gearhead	减速比Gear Ratio	容许力矩 Allowance Torque																			
		3	3.6	5	6	7.5	9	12.5	15	18	25	30	3.6	50	60	75	90	100	120	150	180
5RK120GU-A□ 5RK120GU-E□ 5RK120GU-C□ 5RK120GU-H□ 5RK120GU-S□	50Hz	500	417	300	250	200	166	120	100	83	60	50	417	30	25	20	16	15	12	10	8
		600	500	360	300	240	200	144	120	100	72	60	500	36	30	24	20	18	15	12	10
5RK120GU-A□ 5RK120GU-E□ 5RK120GU-C□ 5RK120GU-H□ 5RK120GU-S□	60Hz	500	1.70	2.05	2.84	3.41	4.73	5.68	7.89	9.47	11.4	15.8	18.9	20.0	20.0	20.0	20.0	20.0	20.0	20.0	20.0
		600	17.4	20.9	29.0	34.8	48.3	58.0	80.5	96.6	116	161	193	200	200	200	200	200	200	200	200
5RK120GU-A□ 5RK120GU-E□ 5RK120GU-C□ 5RK120GU-H□ 5RK120GU-S□	50Hz	1.37	1.65	2.29	2.75	3.82	4.58	6.36	7.64	9.16	12.7	15.3	16.5	20.0	20.0	20.0	20.0	20.0	20.0	20.0	20.0
		14.0	16.8	23.4	28.0	39.0	46.7	64.9	77.9	93.5	130	156	168	200	200	200	200	200	200	200	200

## ■ 可逆尺寸图 Reversible Type Drawing



# 蜗轮蜗杆直角 WORM GEAR RIGHT ANGLE

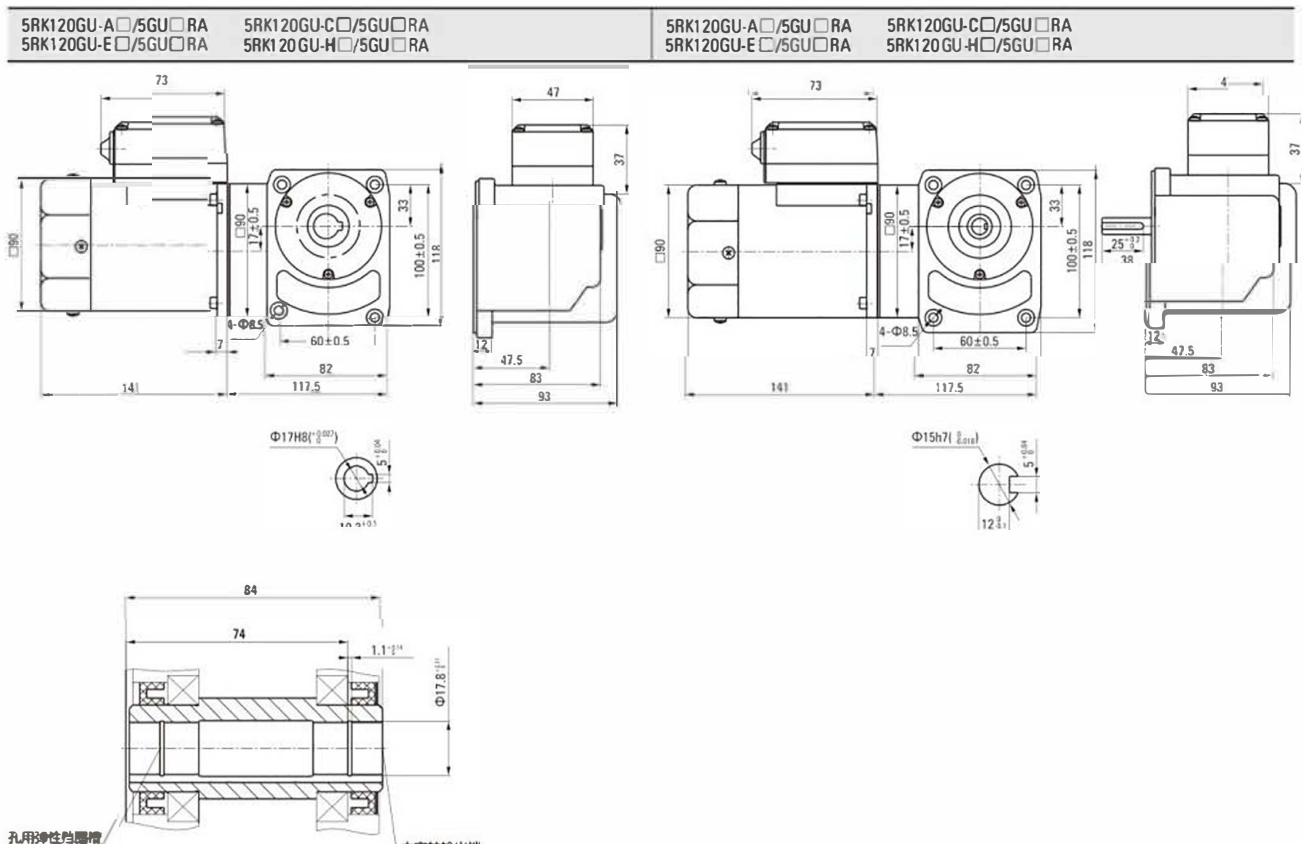
## ■ 装有减速器时的容许转矩 Gear Motor-Torque Table

- 减速器-中间减速器另售。 • 电动机型号的□中为表示带端子箱型的记号(T)。  
Gearhead and mid-gearbox can be sold separately. Enter the code that represents the terminal box type (T) in the box (□) within the model name.
- 减速器型号的□中为减速比的数值。 □ 色表示与电动机同一方向运转，其他则为相反方向。  
Enter the gear ratio in the box (□) within the model name.  
The colored background □ indicates the same rotating direction of the motor while the rotating direction of others are opposite.
- 转速是以电动机的同步转速 (50Hz:1500r/min、60Hz:1800r/min) 为基准除以减速比而算出来的数值。实际转速将随负载大小变化而比所示数值减少2%~20%左右。  
The speed is calculated by dividing the motor's synchronous speed (50Hz:1500r/min、60Hz:1800r/min) by the gear ratio. The actual speed is 2%~20% less than the displayed value, depending on the size of the load.
- 希望以大于下表的减速比进行进一步减速时，可在电动机与减速器之间安装减速比为10的中间减速器。这时的容许转矩为20N·m。  
To reduce the speed beyond the gear ratio in the table, attach a mid-gearbox (gear ratio:10) between the gearhead and motor. In that case, the permissible torque is 20N·m.

## ■ 容许力矩单位 Allowance Torque Unit: 上段 Upside (N.m) / 下段 Belowside (kgf.cm)

机型Type	减速比Gear Ratio	3	3.6	5	6	7.5	9	12.5	15	18	25	30	3.6	50	60	75	90	100	120	150	180			
电动机/减速器 Motor/Gearhead	转速Speed r/min	50Hz	500	417	300	250	200	166	120	100	83	60	50	417	30	25	20	16	15	12	10	8		
	60Hz	600	500	360	300	240	200	144	120	100	72	60	500	36	30	24	20	18	15	12	10	10		
5RK120GU-AF□ 5RK120GU-EF□ 5RK120GU-CF□ 5RK120GU-HF□ 5RK120GU-SF□	容许力矩 Allowance Torque	50Hz	5GU□RH	1.24	1.49	1.86	2.23	2.78	3.34	4.64	5.57	6.68	9.28	11.1	13.4	18.6	20.0	20.0	20.0	20.0	20.0	20.0	20.0	
			5GU□RA	12.6	15.2	18.9	22.7	28.4	34.1	47.4	56.8	68.2	94.7	114	136	189	200	200	200	200	200	200	200	200
		60Hz	5GU□RH	1.00	1.20	1.50	1.80	2.25	2.69	3.74	4.49	5.39	7.49	8.98	10.8	15.0	18.0	20.0	20.0	20.0	20.0	20.0	20.0	20.0
			5GU□RA	10.18	12.2	15.3	18.3	22.9	27.5	38.2	45.8	55.0	76.4	91.7	110	153	183	200	200	200	200	200	200	200

## ■ 可逆尺寸图 Reversible Type Drawing

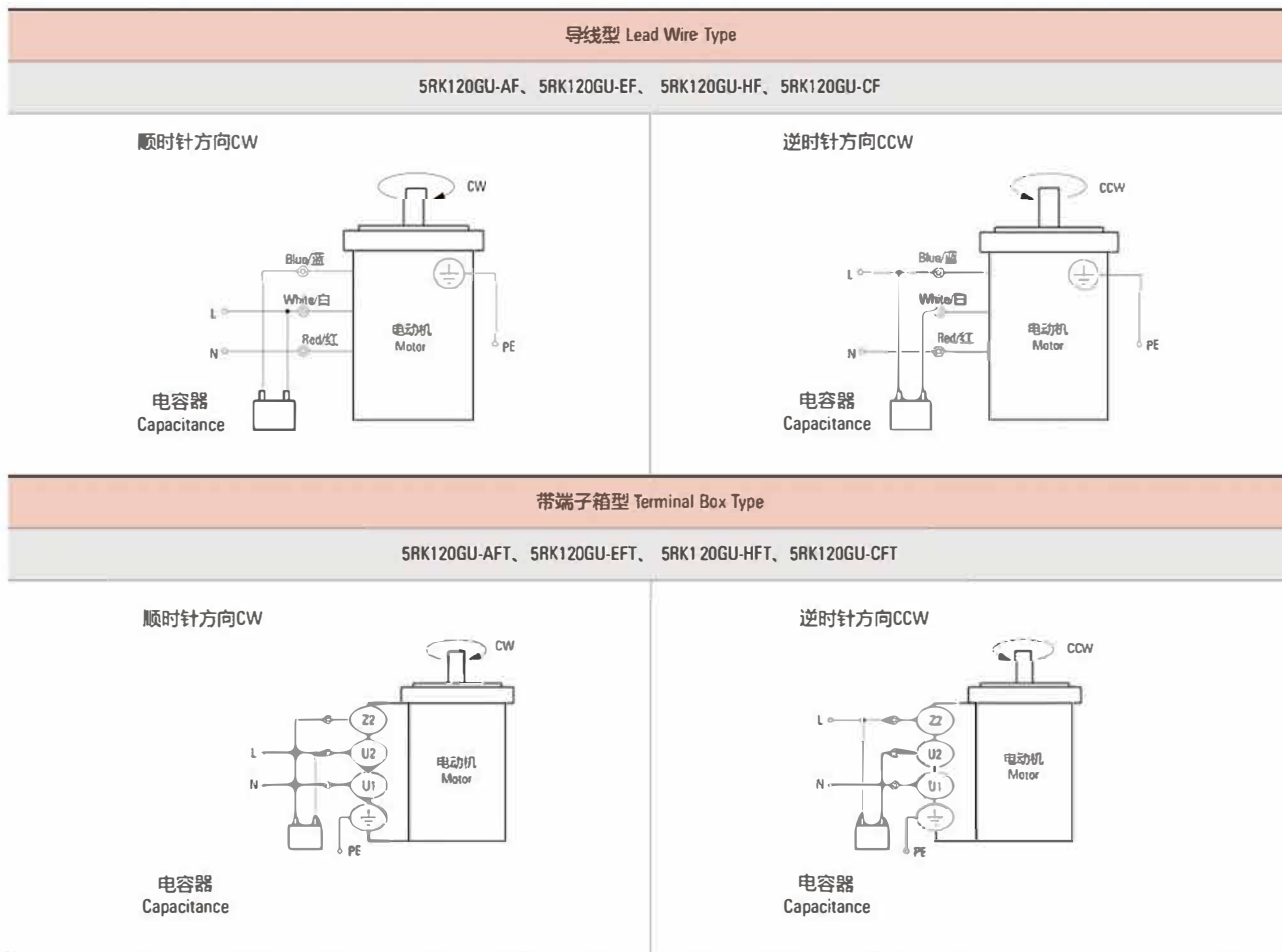


孔用弹性挡圈槽



## 连接图 Wiring Diagram

- 运转方向指从电动机轴看来的方向。CW表示顺时针方向，CCW表示逆时针方向。  
The direction of motor rotation is as viewed from the shaft end of motor. CW represents the clockwise direction, while CCW represents the counterclockwise direction.
- 表中所记品名为齿轮轴型，圆轴型亦同。  
Name indicated in the list is pinion shaft type, also valid for the equivalent round shaft type.



### 请注意 Note:

单相电动机运转方向的转换应在电动机停止后进行。

Change the direction of single-phase motor rotation only after bring the motor to a stop.

若在电动机运转时转换运转方向，可能发生无法转换运转方向或须费时较久的情况。

If an attempt is made to change the direction of rotation while the motor is rotating, motor may ignore reversing command or change its direction of rotation after some delay.



8 800 555-63-74 бесплатные звонки по РФ

## **Контакты**

+7 (495) 505-63-74 - Москва

+7 (473) 204-51-56 - Воронеж

[www.purelogic.ru](http://www.purelogic.ru)

394033, Россия, г. Воронеж,  
Ленинский пр-т, 160, офис 149

Пн-Чт: 8:00–17:00

Пт: 8:00–16:00

Перерыв: 12:30–13:30

[info@purelogic.ru](mailto:info@purelogic.ru)